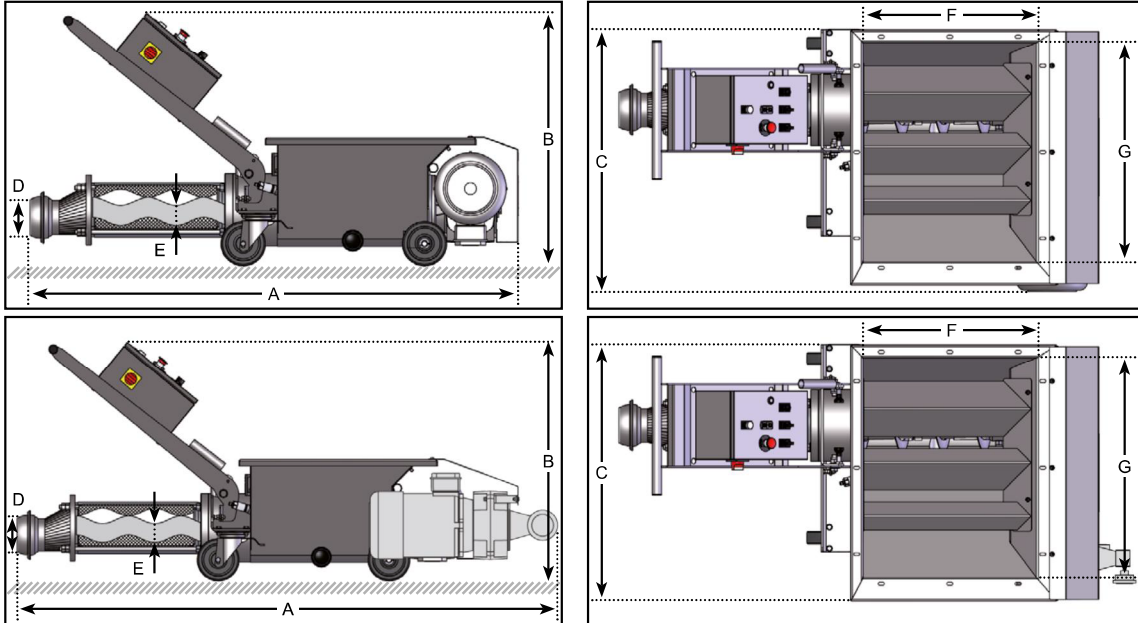


2.1 TECHNICAL PROPERTIES

POMPE PHM 600

2018

18/10/2018



mm (inch)		PHM 600-20 / 600-30	PHM 600-20 / 600-30 (Variateur)
A	=	1754 (69)	2085 (82,1)
B	=	906 (35,7)	
C	=	956 (37,6)	936 (36,9)
D	=	120 (4,7)	
E	=	90 (3,5)	
F	=	630 (24,8)	
G	=	800 (31,5)	



PHM 600-20	289 (637)	Kg (lb)	306 (674)	Kg (lb)	20	T/h	5-25	T/h	32A 3P+T 400V / 50Hz	5,5 kW
PHM 600-30					30		5-30			7,5 kW

