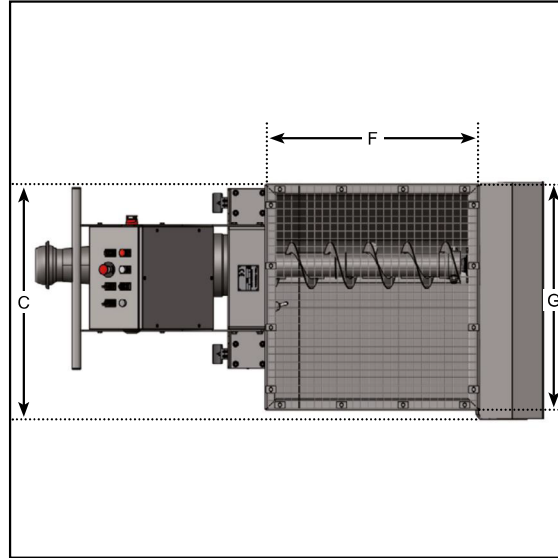
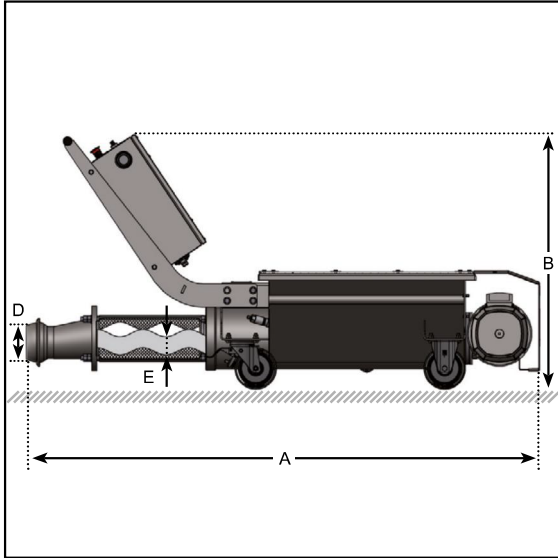


2.1 TECHNICAL PROPERTIES

POMPE PHM 400

2018

18/10/2018



mm (inch)		PHM 400	
A	=	1960	(77,2)
B	=	990	(39)
C	=	950	(37,4)
D	=	120	(4,7)
E	=	80	(3,1)
F	=	838	(33)
G	=	882	(34,7)



PHM 400	260 (573) Kg (lb)	5-12 T/h	32A 3P+T 400V / 50Hz	5,5 kW