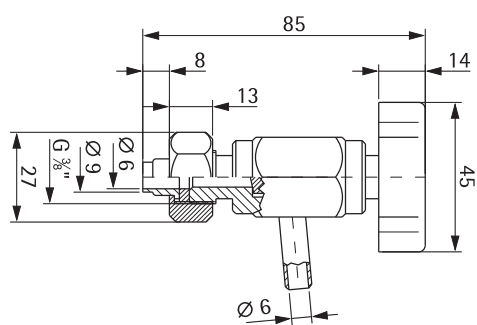


mod.390

Rubinetto assaggiavino Sampling valve

Con attacco filettato a saldare snodato tipo nipplo e tenuta in teflon

A richiesta con manicotto a saldare
With welding threaded connection, with universal joint, nipple type and teflon seal
Suitable on demand with welding threaded socket-joint



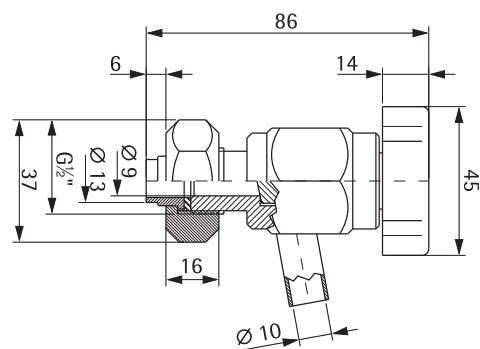
Modello Item	Materiale Material	Peso kg Weight kg
390	304	0.21
390/B	316	0.21

mod.390/D

Rubinetto assaggiavino Sampling valve

Con attacco filettato a saldare snodato tipo nipplo e tenuta in teflon

A richiesta con manicotto a saldare
With welding threaded connection, with universal joint, nipple type and teflon seal
Suitable on demand with welding threaded socket-joint



Modello Item	Materiale Material	Peso kg Weight kg
390/D	304	0.37
390/D/B	316	0.37

ACCESSORI
ACCESSORIES

Standard | Standard



mod. 390/T

Rubinetto assaggiavino Sampling valve

Con attacco filettato a saldare snodato tipo
nipplo e tenuta in teflon

A richiesta con manicotto a saldare

*With welding threaded connection, with universal
joint, nipple type and teflon seal*

*Suitable on demand with welding threaded
socket-joint*



mod. 390/DT

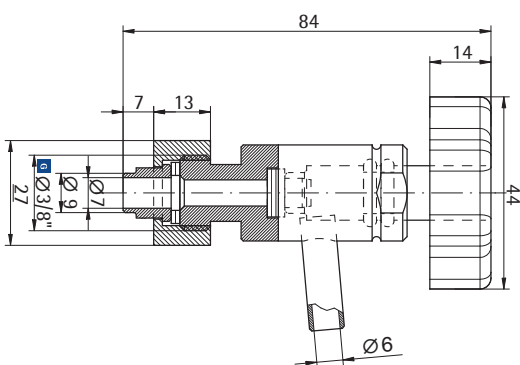
Rubinetto assaggiavino Sampling valve

Con attacco filettato a saldare snodato tipo
nipplo e tenuta in teflon

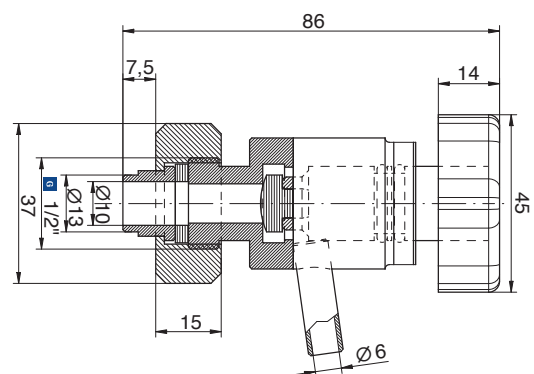
A richiesta con manicotto a saldare

*With welding threaded connection, with universal
joint, nipple type and teflon seal*

*Suitable on demand with welding threaded
socket-joint*



Modello Item	Materiale Material	Peso kg Weight kg
390/T	304	0.20
390/T/B	316	0.20



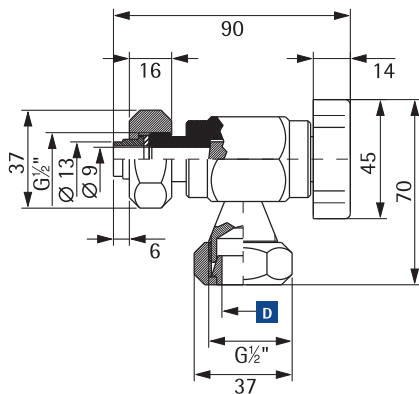
Modello Item	Materiale Material	Peso kg Weight kg
390/DT	304	0.35
390/DT/B	316	0.35

ACCESSORI
ACCESSORIES

mod.420

Porta livello superiore Top level fitting

Con attacco filettato a saldare snodato tipo nipplo e tenuta in teflon, adatto per tubi Ø16, Ø20, Ø24 mm (tubi non di nostra fornitura)
With welding threaded connection, with universal joint, nipple type and teflon seal, suitable for level tubes Ø16, Ø20, Ø24 mm (pipes not supplied by our company)



Modello Item	Materiale Material	Peso kg Weight kg
420/...	304	0.5
420/B/...	316	0.5

Modello Item	D
.../14	Ø 14 mm
.../16	Ø 16 mm
.../20	Ø 20 mm
.../24	Ø 24 mm

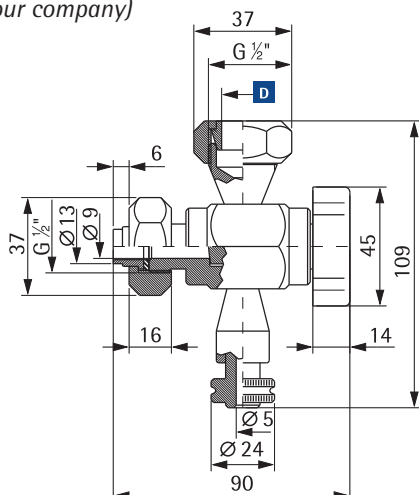
D Diametro esterno tubo
Tube external diameter



mod.410

Porta livello inferiore con scarico Bottom level fitting with cock

Con attacco filettato a saldare snodato tipo nipplo e tenuta in teflon adatto per tubi Ø16, Ø20, Ø24 mm
With welding threaded connection, with universal joint, nipple type and teflon seal, suitable for level tubes Ø16, Ø20, Ø24 mm (pipes not supplied by our company)



Modello Item	Materiale Material	Peso kg Weight kg
410/...	304	0.53
410/B/...	316	0.53

Modello Item	D
.../14	Ø 14 mm
.../16	Ø 16 mm
.../20	Ø 20 mm
.../24	Ø 24 mm

D Diametro esterno tubo
Tube external diameter

Standard | Standard

Versioni | Versions

mod. 420/SV

Modello Item	Materiale Material	Peso kg Weight kg
420/SV/...	304	0.4
420/SV/B/...	316	0.4

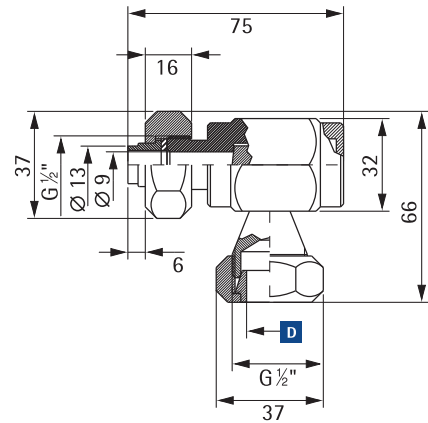
Modello Item	D
.../14	Ø 14 mm
.../16	Ø 16 mm
.../20	Ø 20 mm
.../24	Ø 24 mm

D Diametro esterno tubo
Tube external diameter



Portallivello superiore Top level fitting

Con attacco filettato a saldare snodato tipo nipplo e tenuta in teflon, adatto per tubi Ø16, Ø20, Ø24 mm (tubi non di nostra fornitura)
With welding threaded connection, with universal joint, nipple type and teflon seal, suitable for level tubes Ø16, Ø20, Ø24 mm (pipes not supplied by our company)



mod. 410

Portallivello inferiore con scarico Bottom level fitting with cock

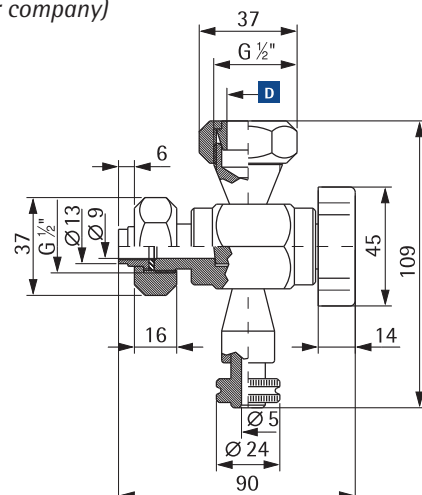
Con attacco filettato a saldare snodato tipo nipplo e tenuta in teflon adatto per tubi Ø16, Ø20, Ø24 mm
With welding threaded connection, with universal joint, nipple type and teflon seal, suitable for level tubes Ø16, Ø20, Ø24 mm (pipes not supplied by our company)

ACCESSORI
ACCESSORIES

Modello Item	Materiale Material	Peso kg Weight kg
410/...	304	0.53
410/B/...	316	0.53

Modello Item	D
.../14	Ø 14 mm
.../16	Ø 16 mm
.../20	Ø 20 mm
.../24	Ø 24 mm

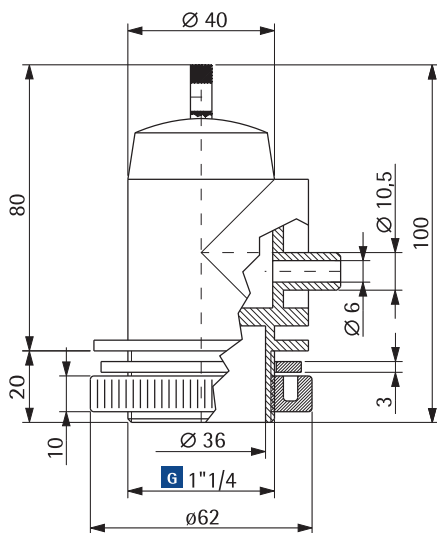
D Diametro esterno tubo
Tube external diameter



mod.A-10

Valvola di sfiato Relief valve

In polietilene, a doppio effetto (pressione e depressione), portata massima 130 hl/h
In polyethylene, two-way (pressure and vacuum), maximum flow 130hl/h

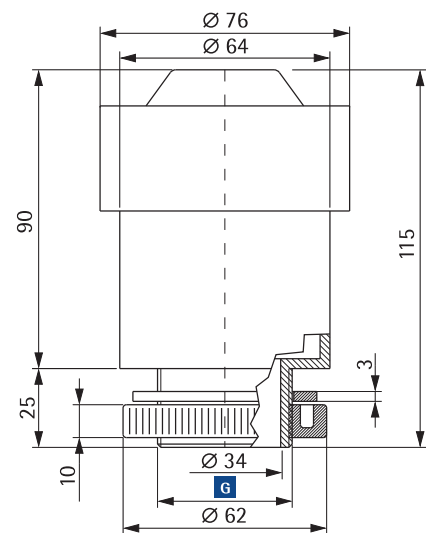


Mod. Item	Materiale Material	G mm	Peso kg Weight kg
A-10	Polietil.	G1 1/4"	0.064

mod.A-20

Valvola di sfiato Relief valve

In polietilene, a doppio effetto (pressione e depressione), portata massima 400 hl/h
In polyethylene, two-way (pressure and vacuum), maximum flow 400hl/h



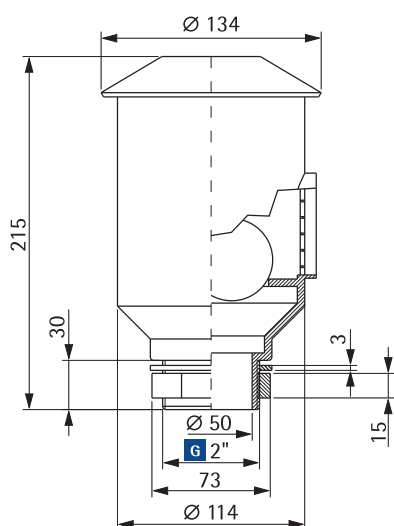
Mod. Item	Materiale Material	G mm	Peso kg Weight kg
A-20	Polietil.	G1 1/4"	0.15
A-21	Polietil.	G1 1/2"	0.15

ACCESSORI
ACCESSORIES

mod.A-30

Valvola di sfiato Relief valve

In polietilene, a doppio effetto (pressione e depressione), portata massima 800 hl/h
In polyethylene, two-way (pressure and vacuum), maximum flow 800hl/h



Mod. Item	Materiale Material	G mm	Peso kg Weight kg
A-30	Polietil.	G2"	0.32

mod.A-40/A-50

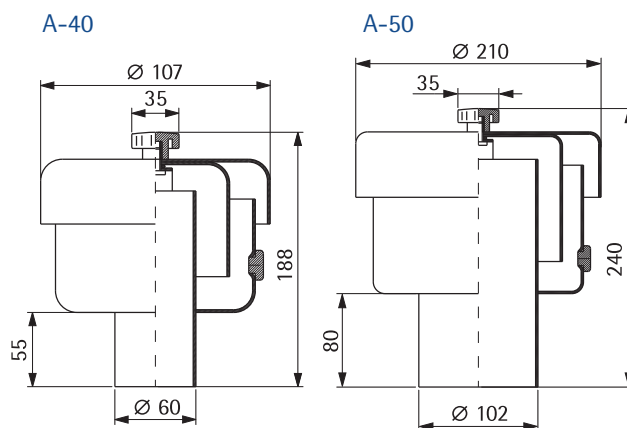
Valvola di sfiato Relief valve

A-40 In acciaio inox, a doppio effetto (pressione e depressione) con funzionamento a bagno d'olio, portata massima 300 hl/h

A-50 In acciaio inox, a doppio effetto (pressione e depressione) con funzionamento a bagno d'olio, portata massima 1000 hl/h

A-40 In stainless steel, two-way (pressure and vacuum) with oil bath working, maximum flow 300 hl/h

A-50 In stainless steel, two-way (pressure and vacuum) with oil bath working, maximum flow 1000 hl/h



Mod. Item	Materiale Material	Peso kg Weight kg
A-40	304	1.5
A-40/Z	304	1.7
A-40/B	316	1.5
A-40/Z/B	316	1.7
A-50	304	2.5
A-50/Z	304	2.7
A-50/B	316	2.5
A-50/Z/B	316	2.7

ACCESSORI
ACCESSORIES