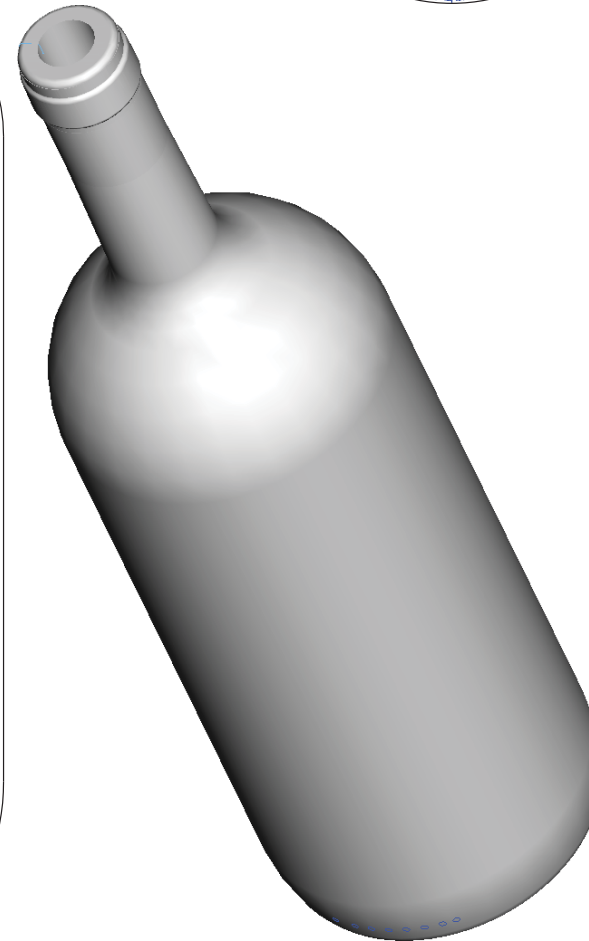
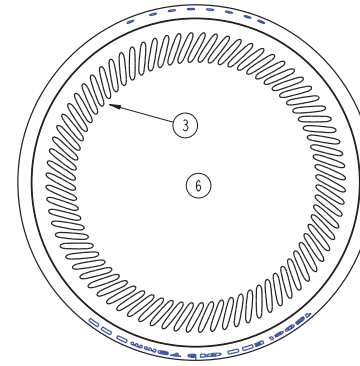
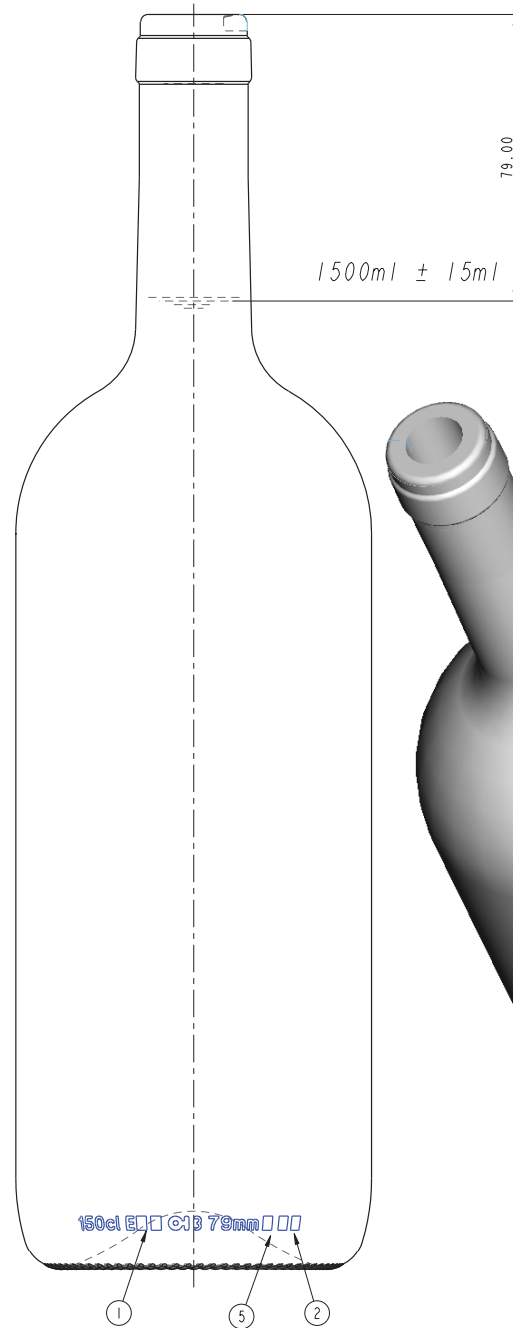
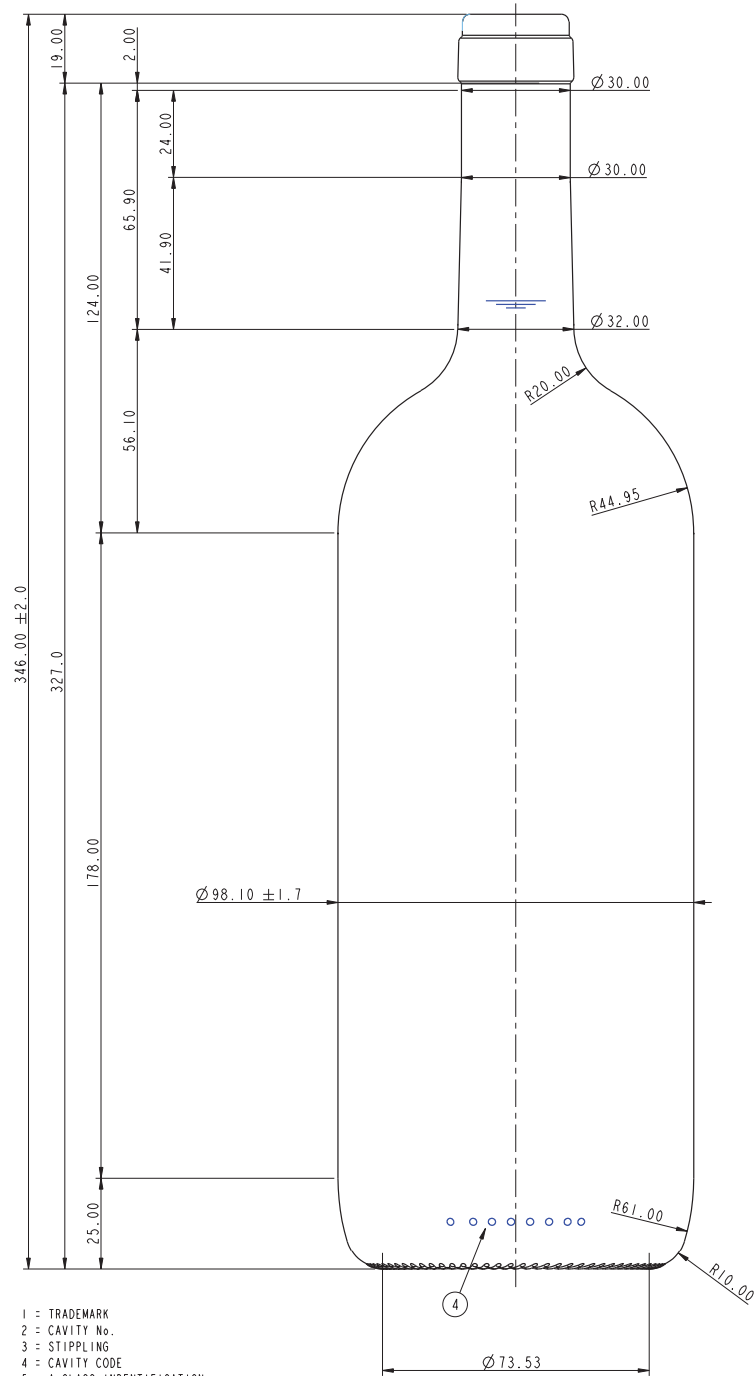


FINISH DESCRIPTION: FASCETTA TAPPO RASO

INSERT: No



LATION.

- 1 - TRADEMARK
- 2 - CAVITY No.
- 3 - STIPPLING
- 4 - CAVITY CODE
- 5 - A GLASS IDENTIFICATION
- 6 - KNURLING AT PLANT DISCRETION

SCALE 1:1

CATEGORY WINE	WINE	TILT ANGLE	17.47°
MAX. VERTICALITY TOLERANCE	3.8 mm	MEASURING CONTAINER	YES
FINISH SAP NUMBER	0797	FINISH REF.	SPECIAL
MINIMUM THROUGH BORE	16.5 mm	MAX FILLING TUBE Ø	15 mm
CONTAINER OVERFLOW CAPACITY (BRIMFUL)			
1527ml ± XXml			
CONTAINER RATED CAPACITY (FILLPOINT)			
1500ml ± 15ml			
CONTAINER WEIGHT			
665 g APPROX.			
FINISH DESIGNATION		MAX GAS VOLUME	
IT_32_SPECIAL_H190_0797			
PROCESS	RETURNABLE NO	DESIGN REF.	

STANDARD BORDOLESE 1500ml R.M.

DESIGNER	SNIZKOVA	DATE	12-05-08
CHECKED		DATE	

No	DATE	REVISIONS	DESIGN/CHECK