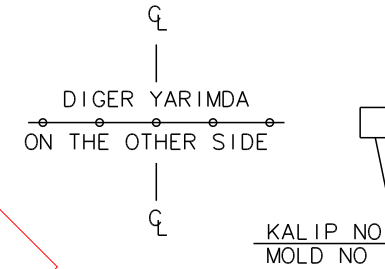


Prepared by  
**ŞİŞECAM**  
 SCIENCE, TECHNOLOGY  
 AND DESIGN CENTER  
 21.10.2021

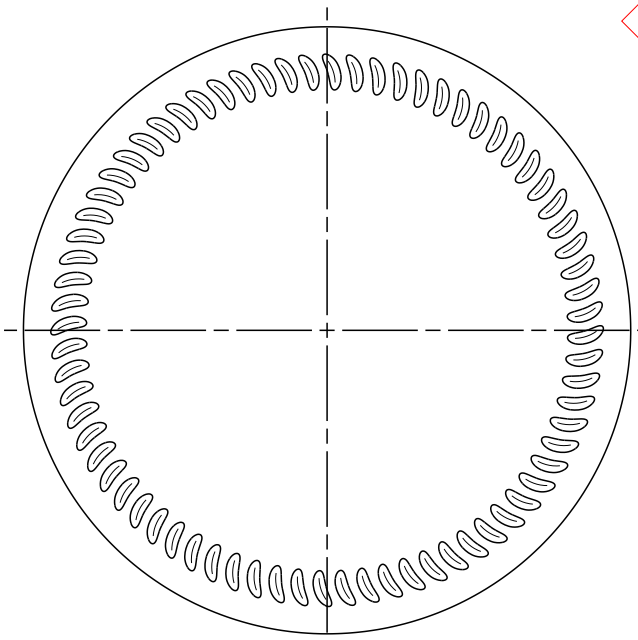
\*TİRTİL YUKSEKLİĞİ DAHİL/INCLUDING STIPLING HEIGHT

KOD OKUMA NOKTALAMASI  
 DOT CODE



Isometric view[4]  
 Scale: 1:1

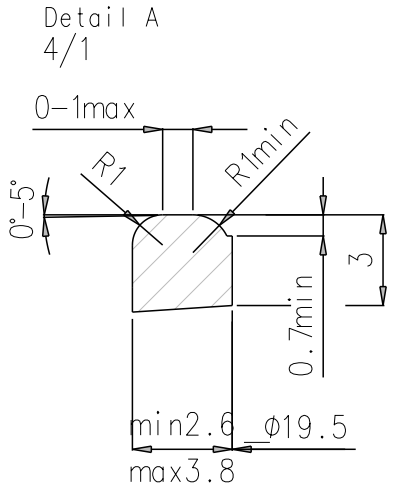
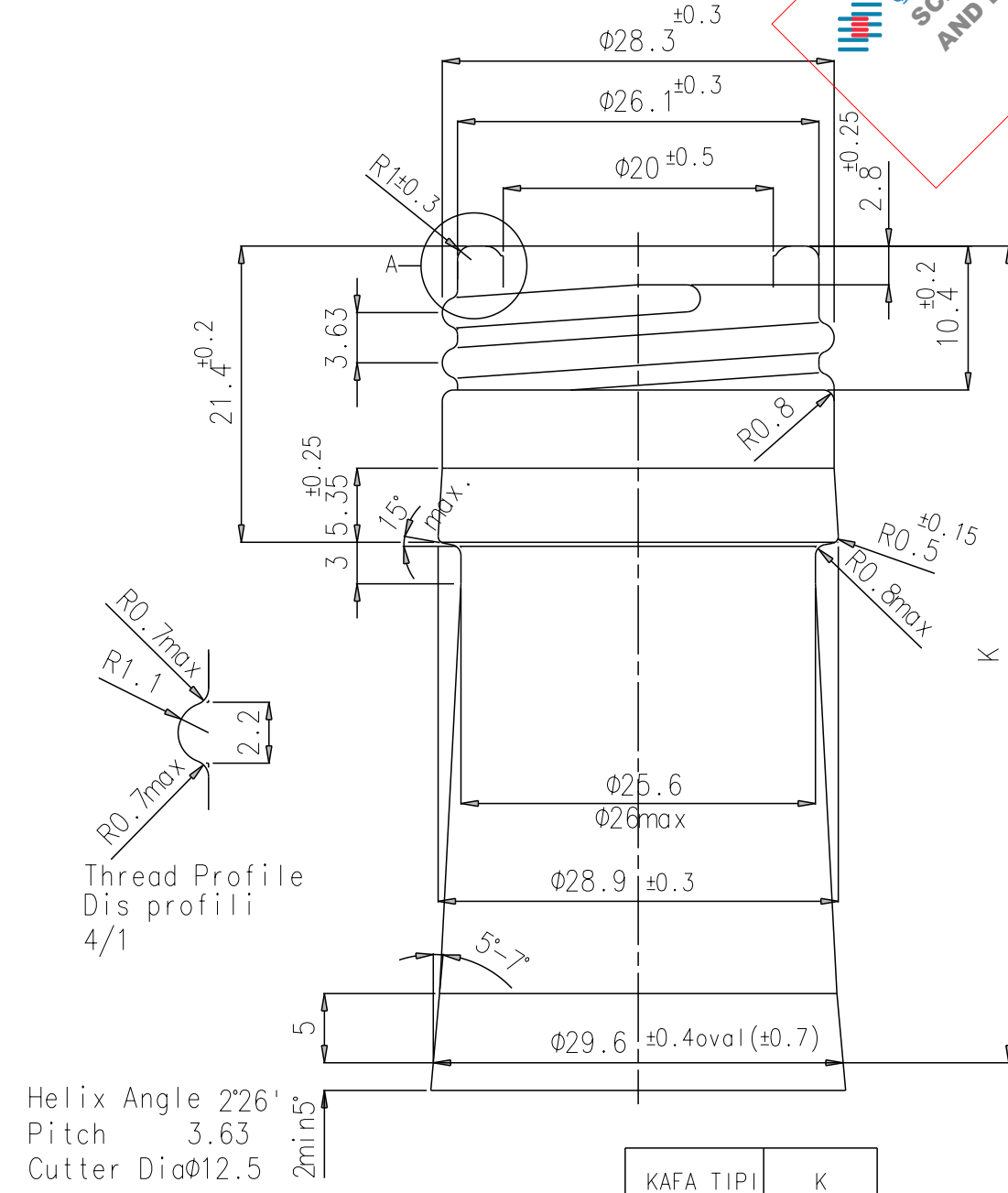
MUSTERİ ONAYI İÇİNDİR  
 FOR APPROVAL OF CLIENT  
 21.10.2021



REV	ACIKLAMA REMARK	TARİH DATE	YAPAN MADE BY	KONTROL CHECKED BY
B	FINISH STD DETAIL REVISED ACCORDING TO REF. STD.	21.10.21	AA	KE
B	BY CLIENT REQUEST, AVG TOLERANCE ADDED.	07.07.21	AA	EY
DEĞİŞİKLİKLER - REVISIONS				
CİZEN DRAWN BY	AA	KAFA STD. FINISH	30X60 CAPVIT	
KONTROL CHECKED BY	TÖ	DOLUM HACMI FILLING CAP. (cc)	750 ±10 AVG -0/+5	SİLME HACMI BRIMFULL CAP.(cc) 765
TARİH DATE	15.01.2021	AGIRLIK WEIGHT (g)	~ 395g (max. 400g)	C.K.(TEORİK) W.T.(THEORET)(mm) ~ 2,5mm
ÖLÇEK SCALE	1/1	BOSLUK VACUITY (%)	~ 2	DENGE ACISI TILT ANGLE (°) ~ 18deg
Müşteri tarafından verilen numune ve/veya çizime uygun olarak Şişecam A.Ş. tasarımcıları tarafından çizilmiştir. This property is designed by the employee of Şişecam A.Ş. according to either prototype or technical drawing given by the Customer.			REFERANS/REFERENCE 521075AA2	
		<b>ŞİŞECAM CAM AMBALAJ</b>		
		URUN NO/PRODUCT NO 838075	GECİCİ KOD/TEMP.CODE 838075AA1C.0	
		<b>75cl. BURGON ŞARAP ŞİŞESİ STD. BASINÇSIZ / NON-PRESSURED</b>		
		NRB		

KAFA DETAYI / FINISH DETAIL

Prepared by  
ŞİŞECAM  
SCIENCE, TECHNOLOGY  
AND DESIGN CENTER  
21.10.2021



MÜŞTERİ ONAYI İÇİNDİR  
FOR APPROVAL OF CLIENT  
21.10.2021

REF : GLOBALCAP / BVS / GME 30.13  
REF : BVS 30H60  
KAPAK YUKSEKLİĞİ 60mm

REV	ACIKLAMA REMARK	TARİH DATE	YAPAN MADE BY	KONTROL CHECKED BY
C	FINISH STD DETAIL REVISED ACCORDING TO REF. STD.	21.10.21	AA	KE
B	BY CLIENT REQUEST, AVG TOLERANCE ADDED.	07.07.21	AA	EY

DEĞİŞİKLİKLER - REVISIONS				
CİZEN DRAWN BY	AA	KAFA STD. FINISH	30X60 CAPVIT	
KONTROL CHECKED BY	TÖ	DOLUM HACMI FILLING CAP. (cc)	750 ±10 AVG -0/+5	SİLME HACMI BRIMFULL CAP.(cc)
TARİH DATE	15.01.2021	AGIRLIK WEIGHT (g)	~ 395g (max. 400g)	C.K.(TEORİK) W.T.(THEORET)(mm)
ÖLÇEK SCALE	1/1	BOSLUK VACUITY (%)	~ 2	DENGE ACISI TILT ANGLE (°)
		REFERANS/REFERENCE		521075AA2

ŞİŞECAM CAM AMBALAJ	
URUN NO/PRODUCT NO	838075
GECİCİ KOD/TEMP.CODE	838075AA1C.0

**75cl. BURGON ŞARAP ŞİŞESİ  
STD.  
BASINÇSIZ / NON-PRESSURED**

NRB