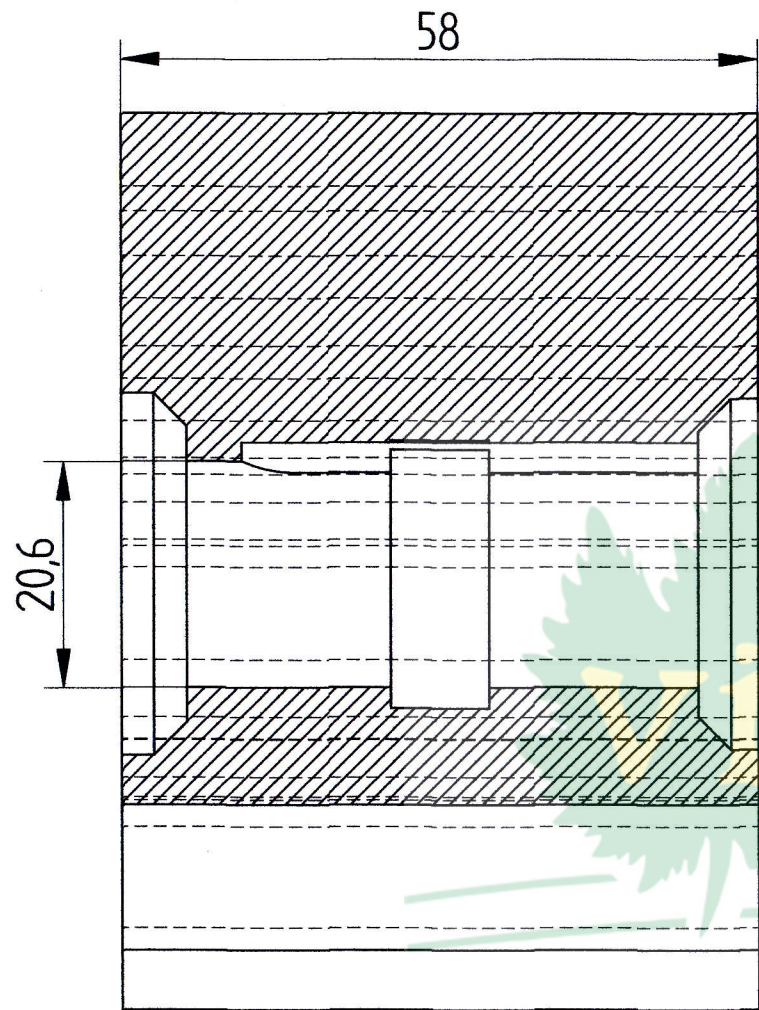
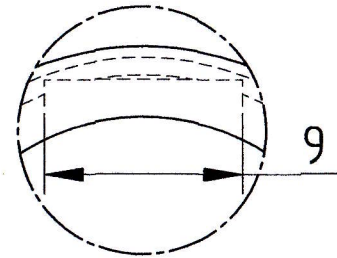
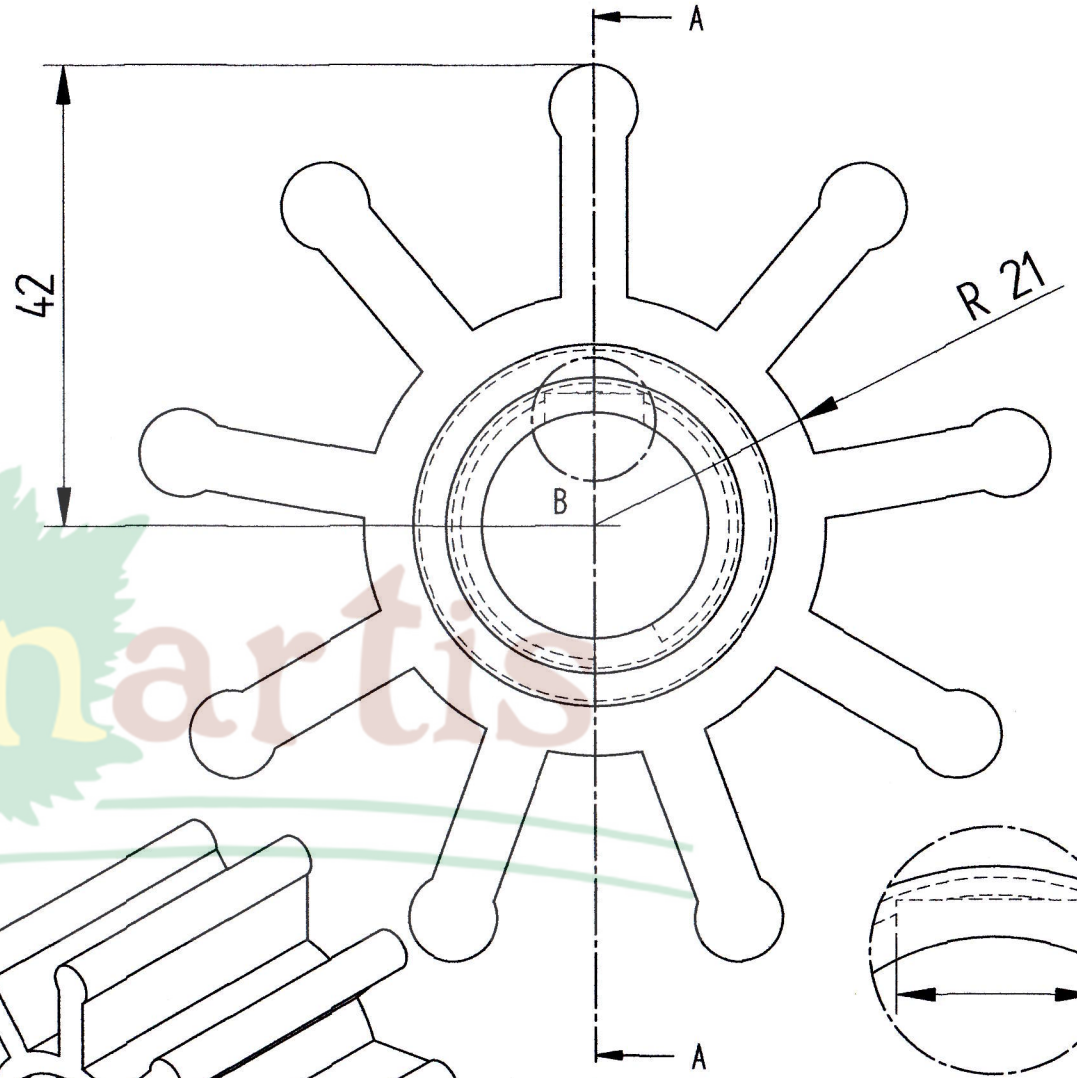


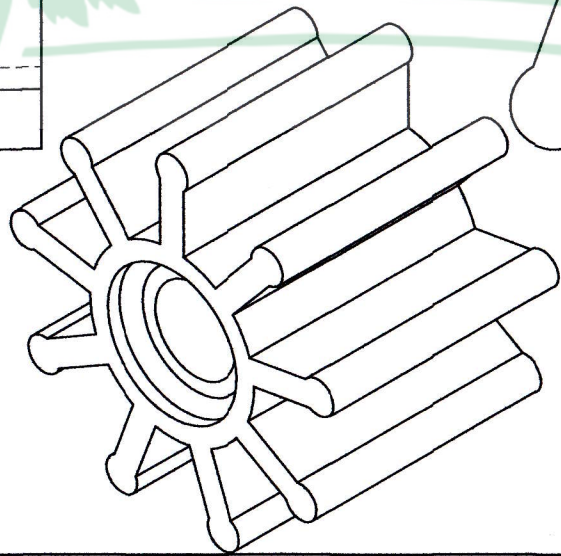
REVISION HISTORY			
REV	DESCRIPTION	DATE	APPROVED



METSZET A-A



RÉSZLET B



DRAWN	NAME	DATE	SOLID EDGE	
CHECKED	user	10/31/15	UGS - The PLM Company	
ENG APPR			TITLE	T40 Régi
MGR APPR			SIZE	DWG NO
UNLESS OTHERWISE SPECIFIED DIMENSIONS ARE IN MILLIMETERS ANGLES ±X.X°			AZ	REV
2 PL ±XXX 3 PL ±XXXX			FILE NAME:	T40.dft
			SCALE:	WEIGHT:
			SHEET 1 OF 1	