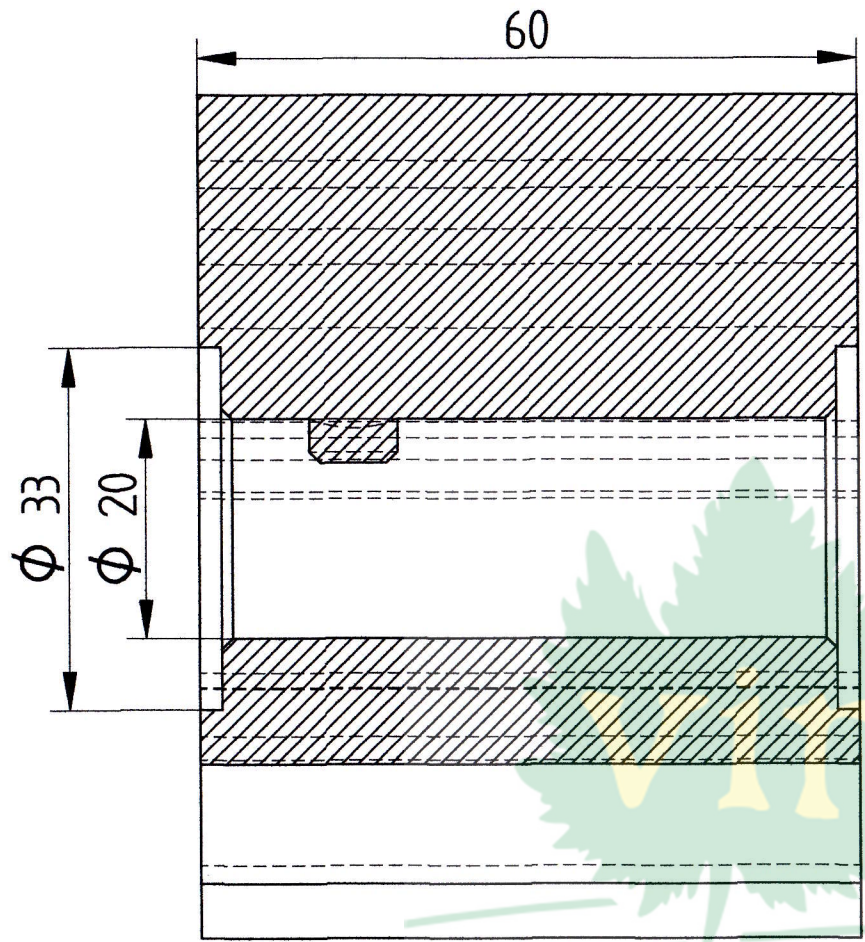
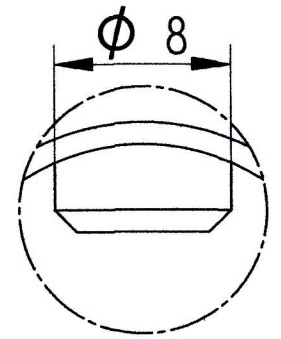
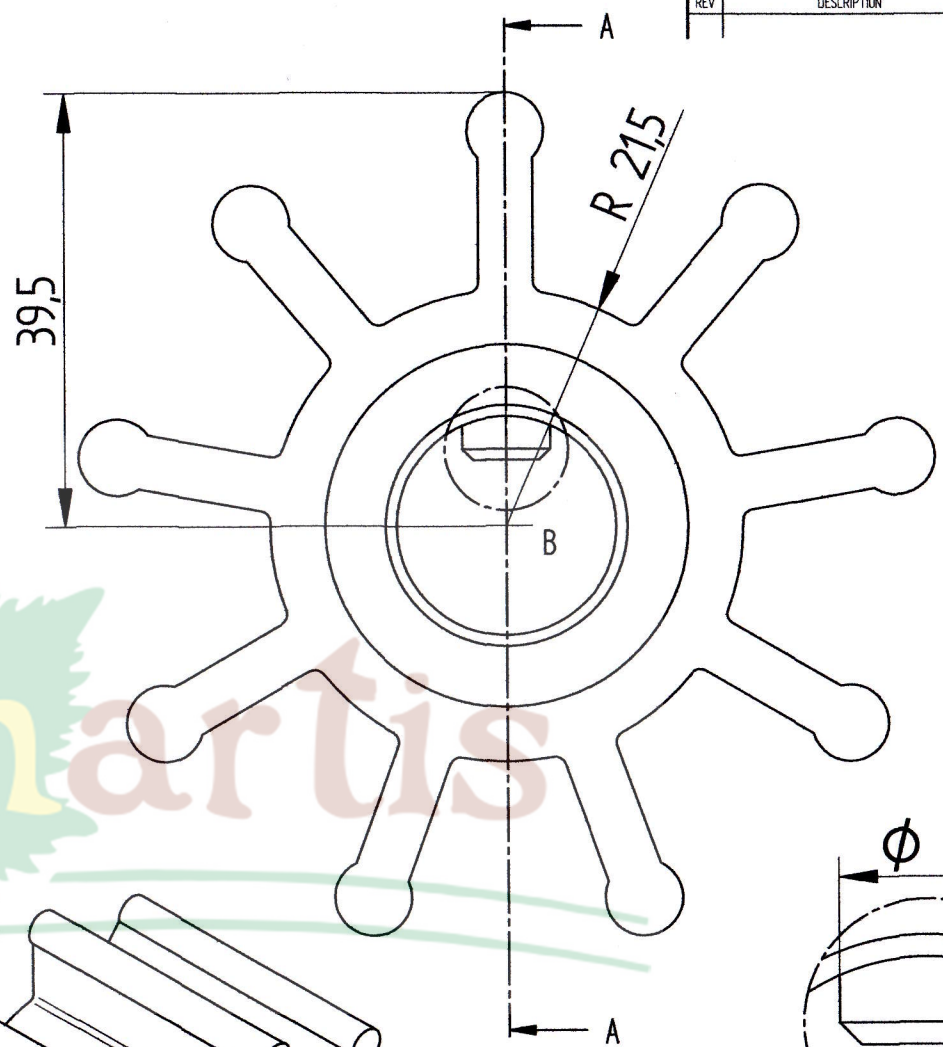


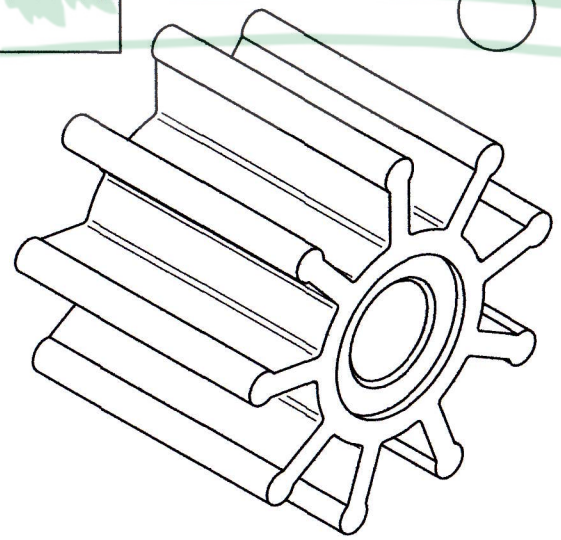
REVISION HISTORY			
REV	DESCRIPTION	DATE	APPROVED



METSZET A-A



RÉSZLET B



DRAWN	NAME	DATE	<b>SOLID EDGE</b>	
CHECKED	User	03/06/16	UGS - The PLM Company	
ENG APPR			TITLE	
MGR APPR			FILE NAME: BCM_30.dft	
UNLESS OTHERWISE SPECIFIED DIMENSIONS ARE IN MILLIMETERS ANGLES ±X.X° 2 PL ±XXX 3 PL ±XXXX			SIZE AZ	DWG NO
			SCALE	WEIGHT
			SHEET 1 OF 1	