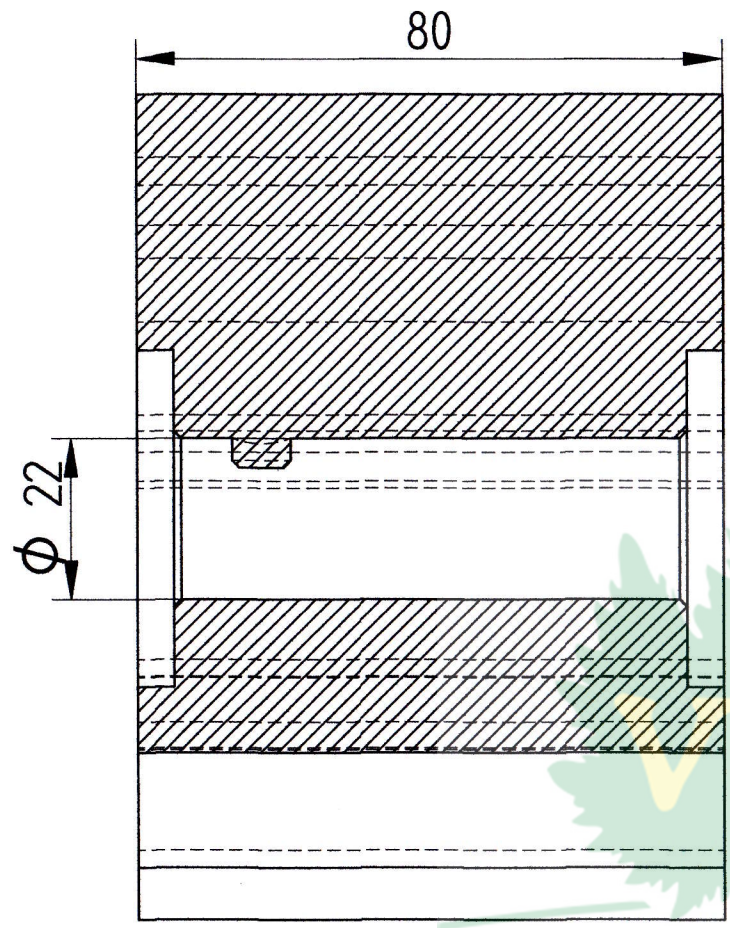
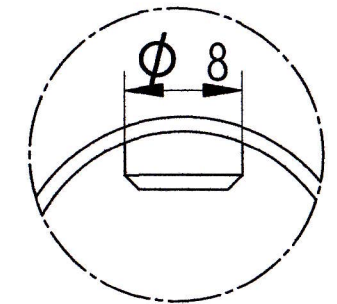
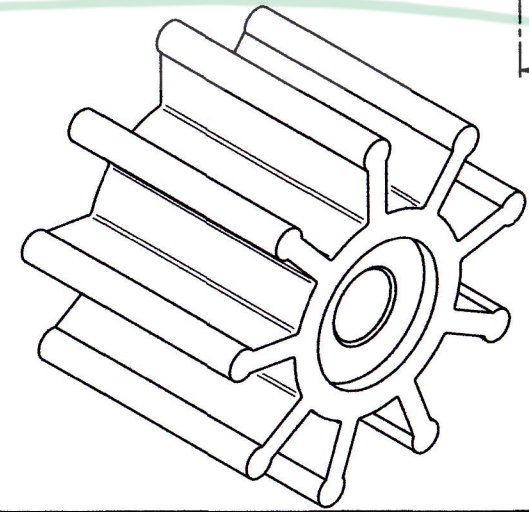
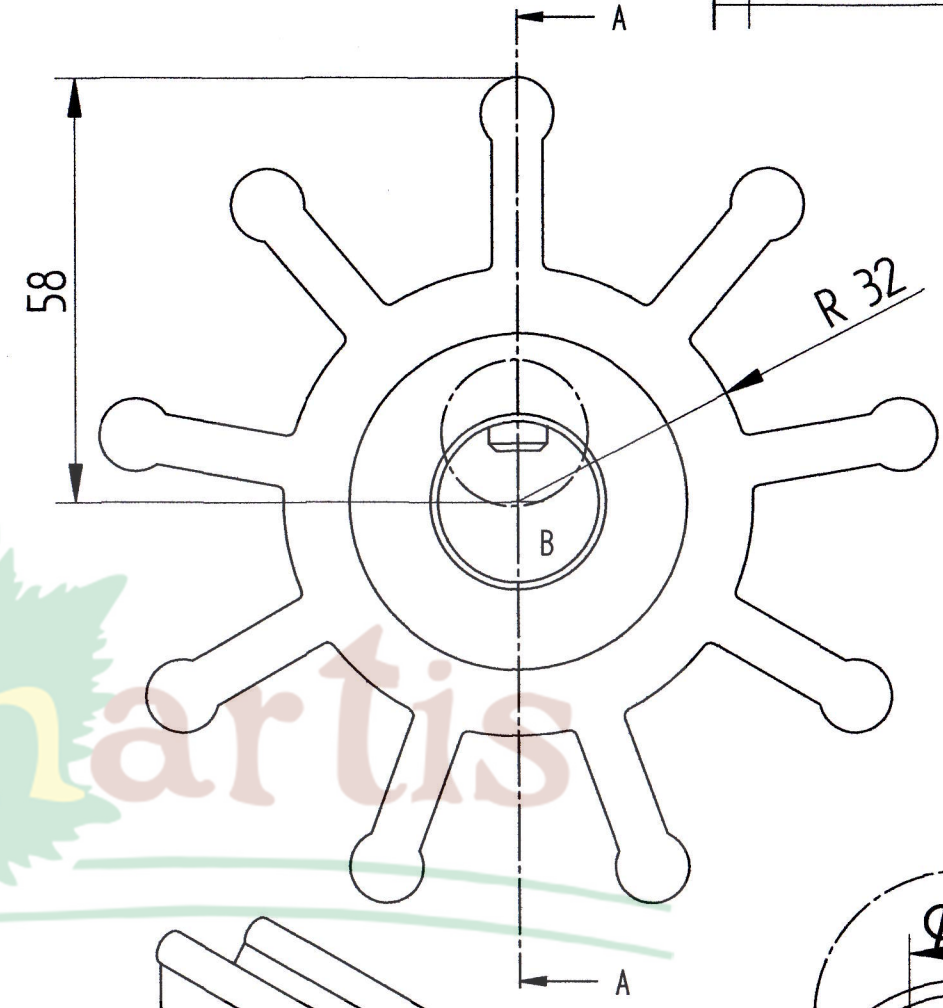


REVISION HISTORY			
REV	DESCRIPTION	DATE	APPROVED



METSZET A-A



RÉSZLET B

DRAWN	USER	DATE	03/06/16	<b>SOLID EDGE</b>	
CHECKED				UGS - The PLM Company	
ENG APPR				TITLE	
MGR APPR				REV	
UNLESS OTHERWISE SPECIFIED DIMENSIONS ARE IN MILLIMETERS ANGLES °X'X"				SIZE	DWG NO
2 PL ±XXX 3 PL ±XXXX				AZ	
				FILE NAME:	BCM 50.dft
				SCALE:	WEIGHT:
				SHEET 1 OF 1	