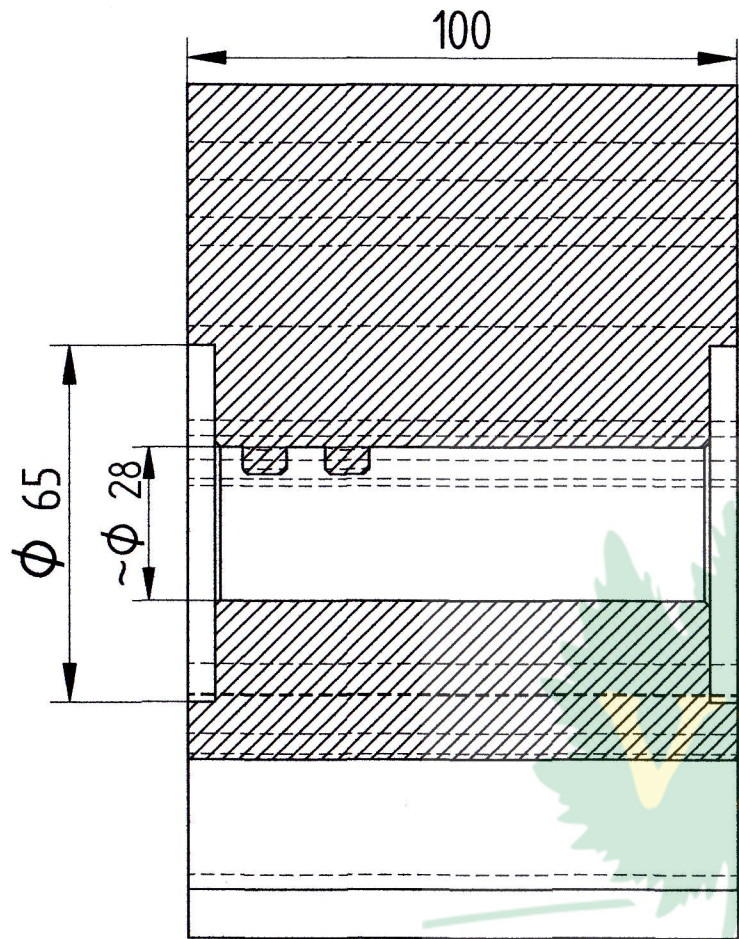
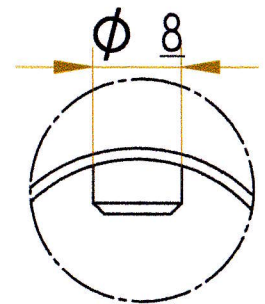
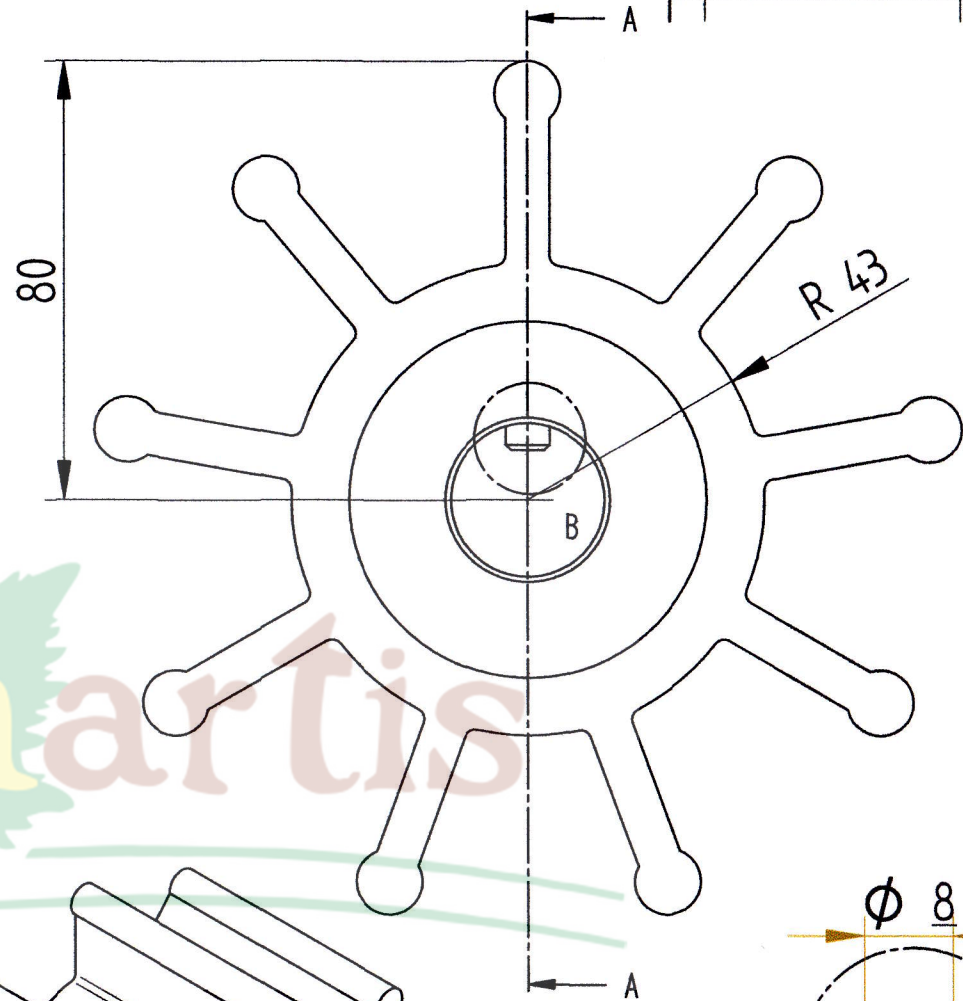


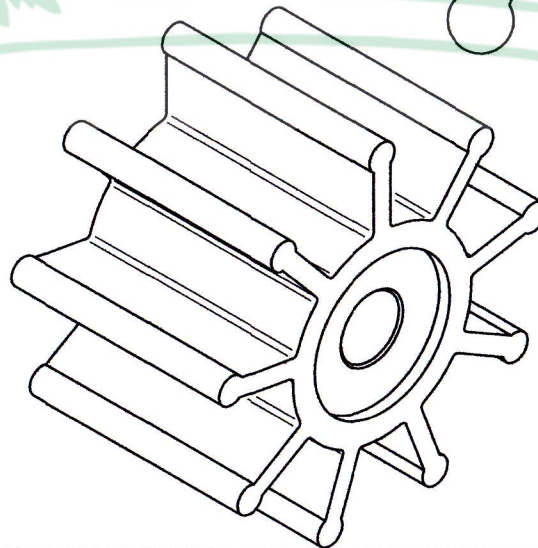
REVISION HISTORY			
REV	DESCRIPTION	DATE	APPROVED



METSZET A-A



RÉSZLET B



DRAWN	user	DATE	03/06/16	<b>SOLID EDGE</b> UGS - The PLM Company	
CHECKED					
ENG APPR					
MGR APPR					
UNLESS OTHERWISE SPECIFIED DIMENSIONS ARE IN MILLIMETERS ANGLES ±X.X° 2 PL ±XXX 3 PL ±XXXX				SIZE A2	REV
FILE NAME: BCM 60-7.dft				SCALE:	WEIGHT:
2 PL ±XXX 3 PL ±XXXX				SHEET 1 OF 1	