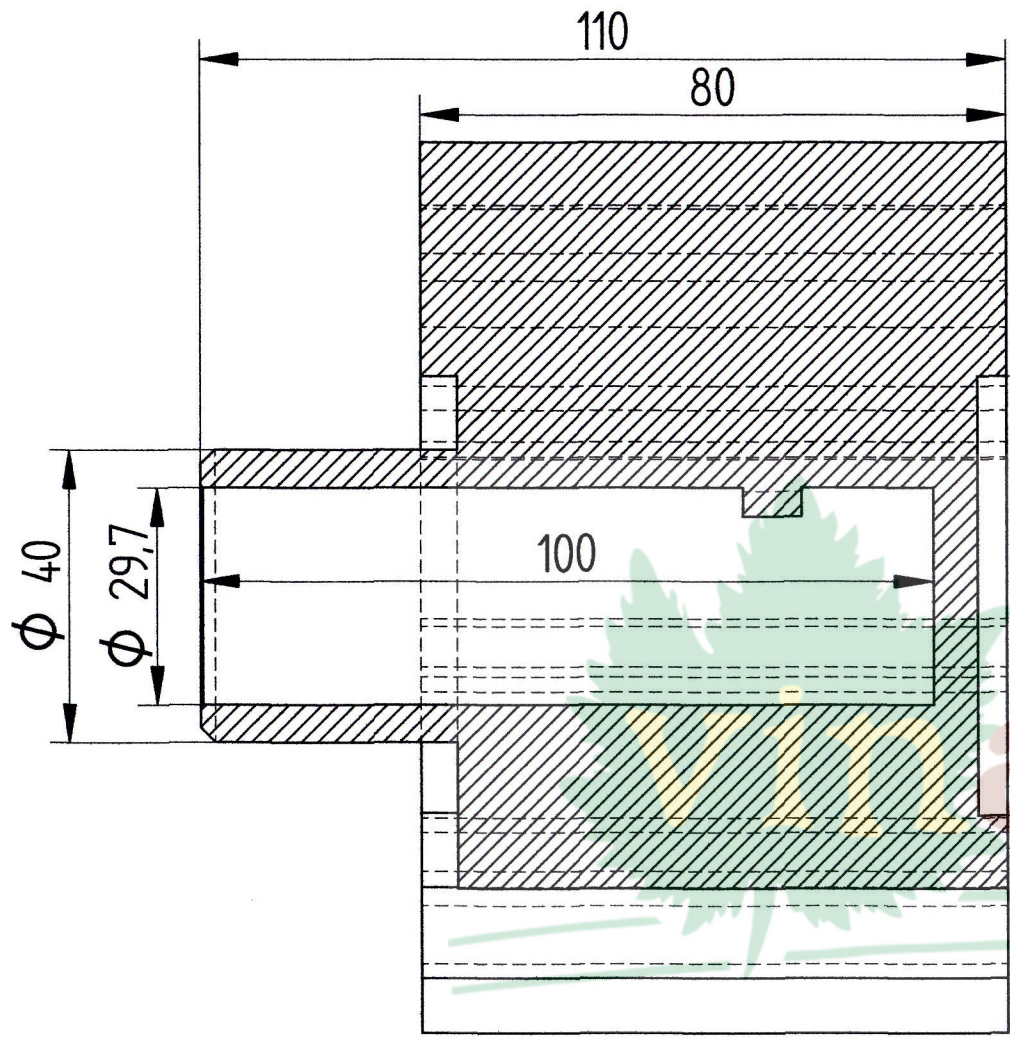
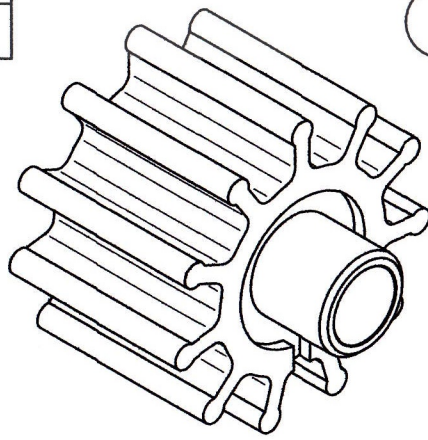
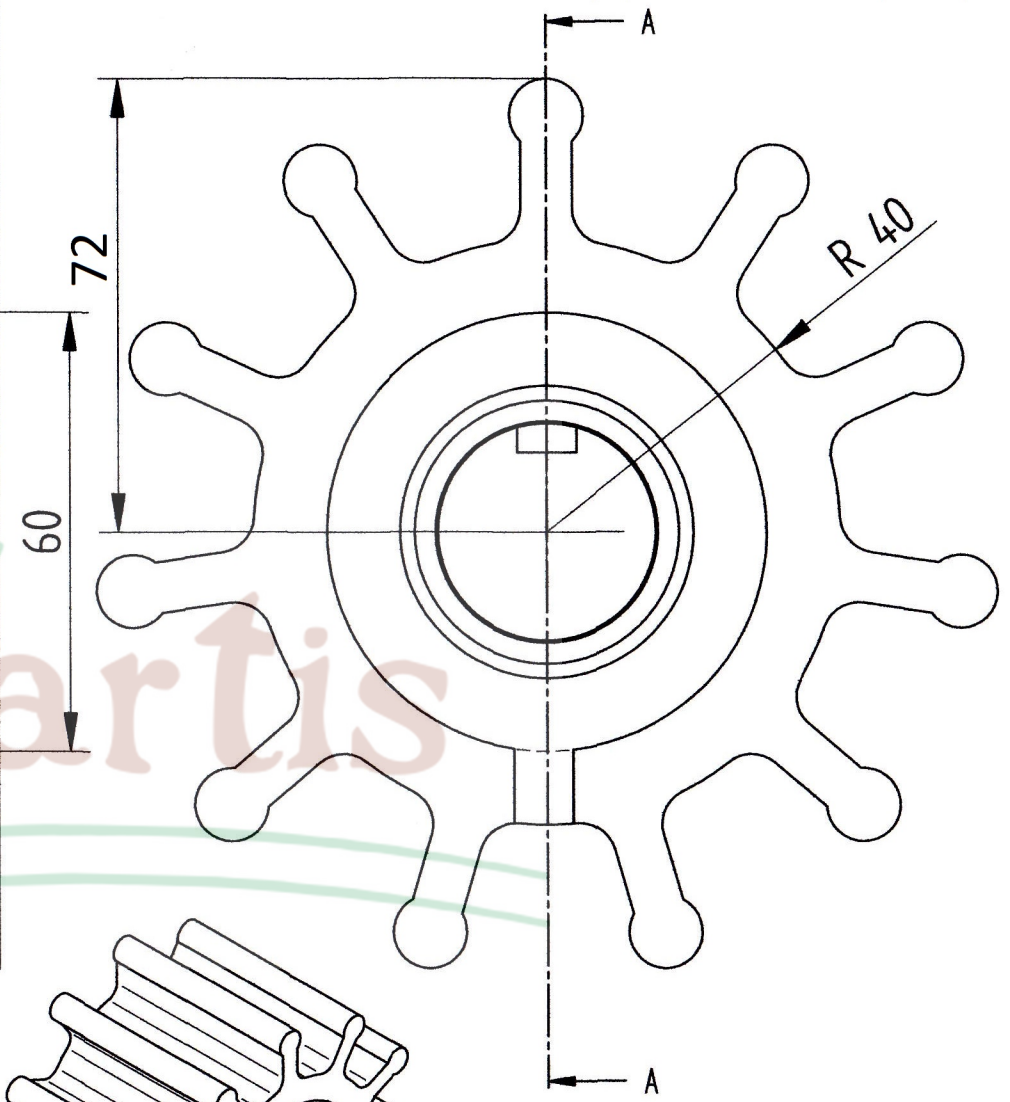


REVISION HISTORY			
REV	DESCRIPTION	DATE	APPROVED



METSZET A-A



DRAWN	USER	DATE	03/03/16	<b>SOLID EDGE</b> UGS - The PLM Company
CHECKED				
ENG APPR				
MGR APPR				
UNLESS OTHERWISE SPECIFIED DIMENSIONS ARE IN MILLIMETERS ANGLES ±XX° 2 PL ±X.XX 3 PL ±X.XXX				SIZE A2 DWG NO FILE NAME: T180_1 seb.dft SCALE: WEIGHT: SHEET 1 OF 1