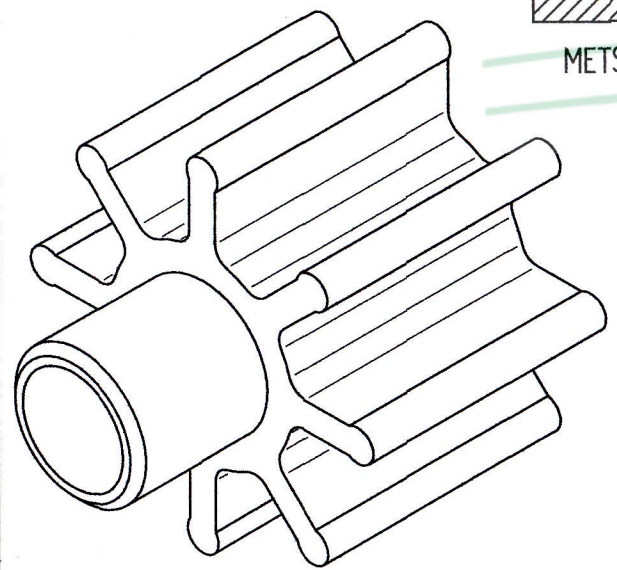
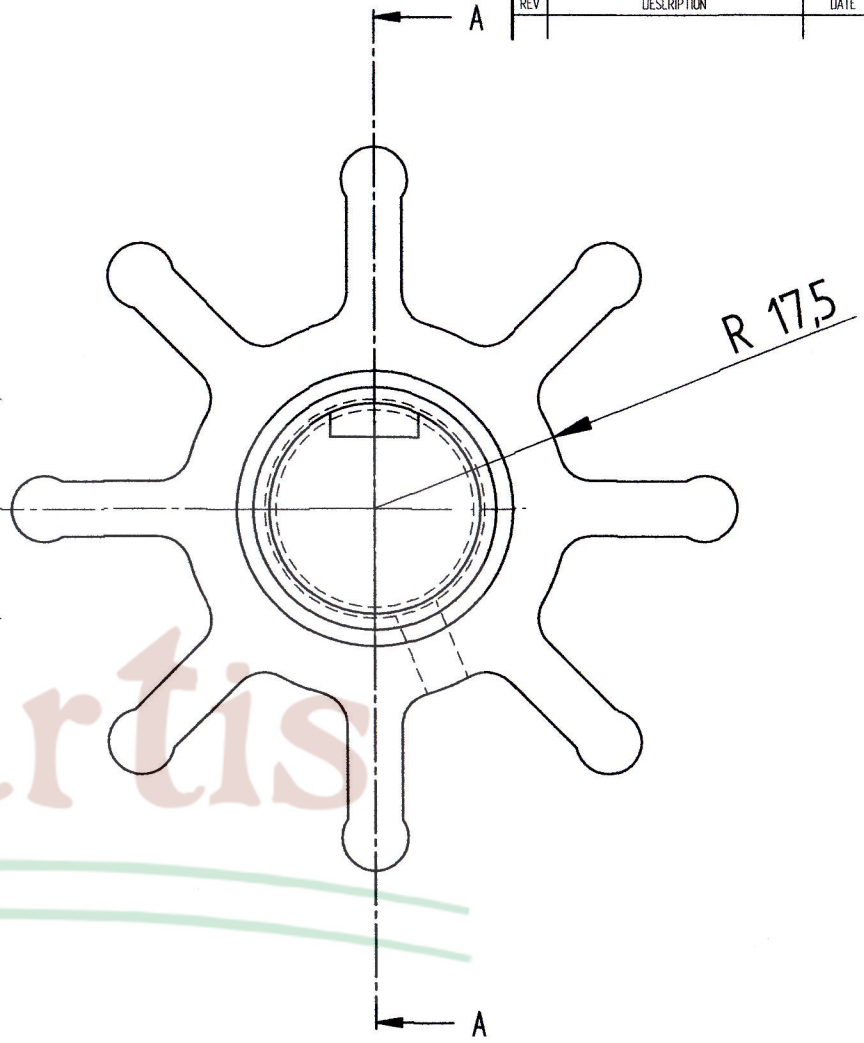
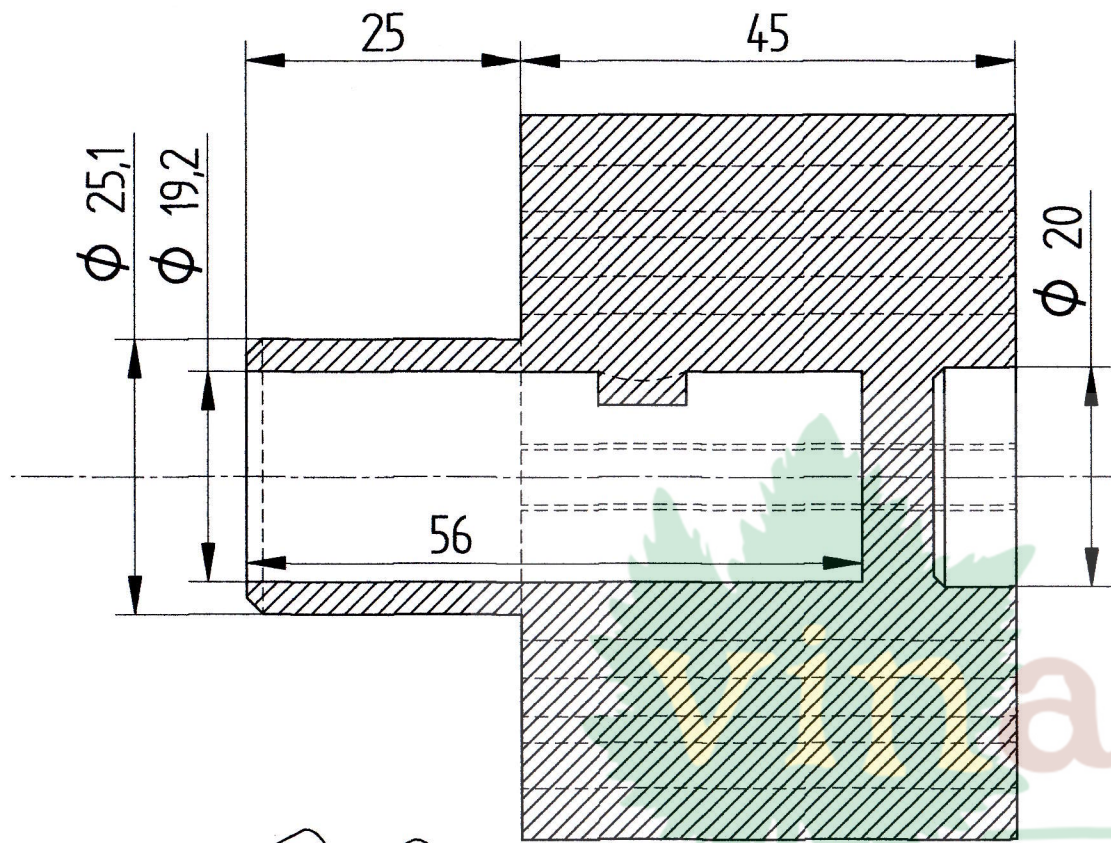


REVISION HISTORY			
REV	DESCRIPTION	DATE	APPROVED



METSZET A-A

DRAWN	NAME	DATE	SOLID EDGE	
CHECKED	user	10/31/15	UGS - The PLM Company	
ENG APPR			TITLE	
MGR APPR			SIZE	DWG NO
UNLESS OTHERWISE SPECIFIED DIMENSIONS ARE IN MILLIMETERS ANGLES ±X.X° 2 PL ±XXX 3 PL ±XXXX			A2	
			FILE NAME:	T25.dft
			SCALE:	WEIGHT:
			SHEET 1 OF 1	