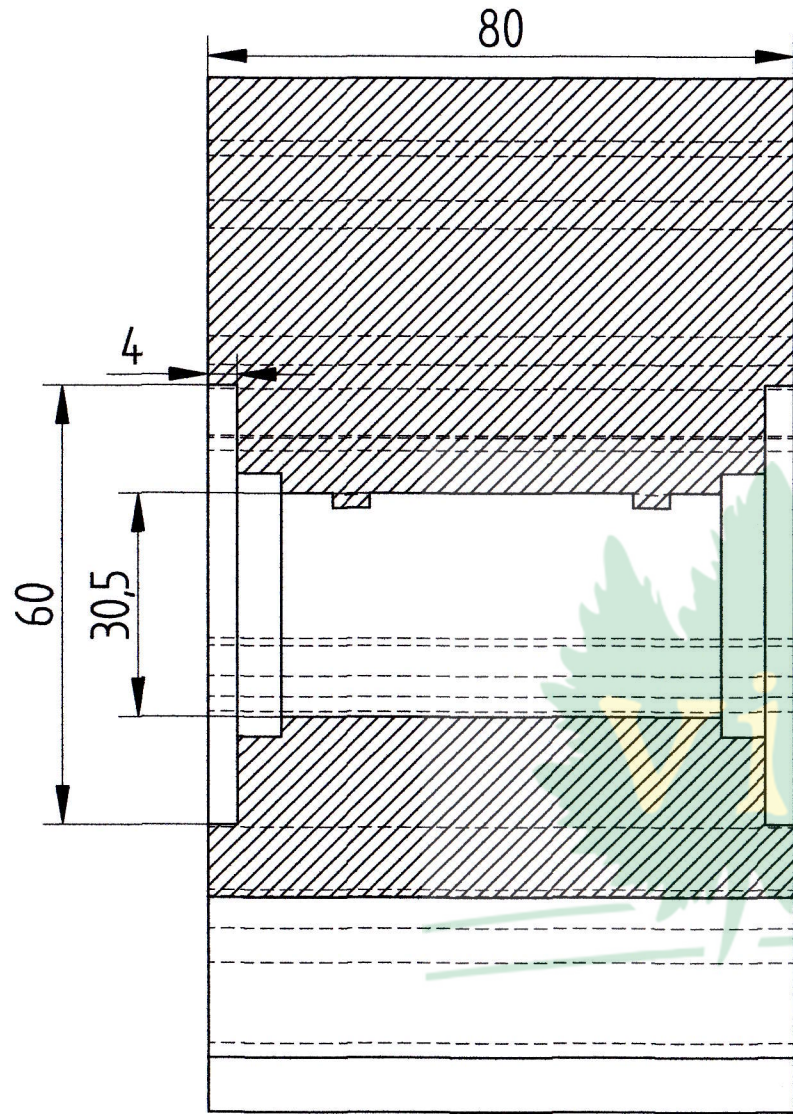
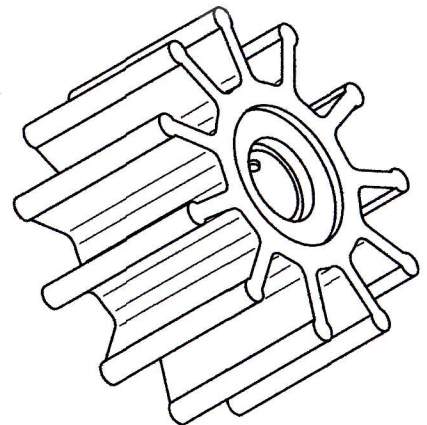
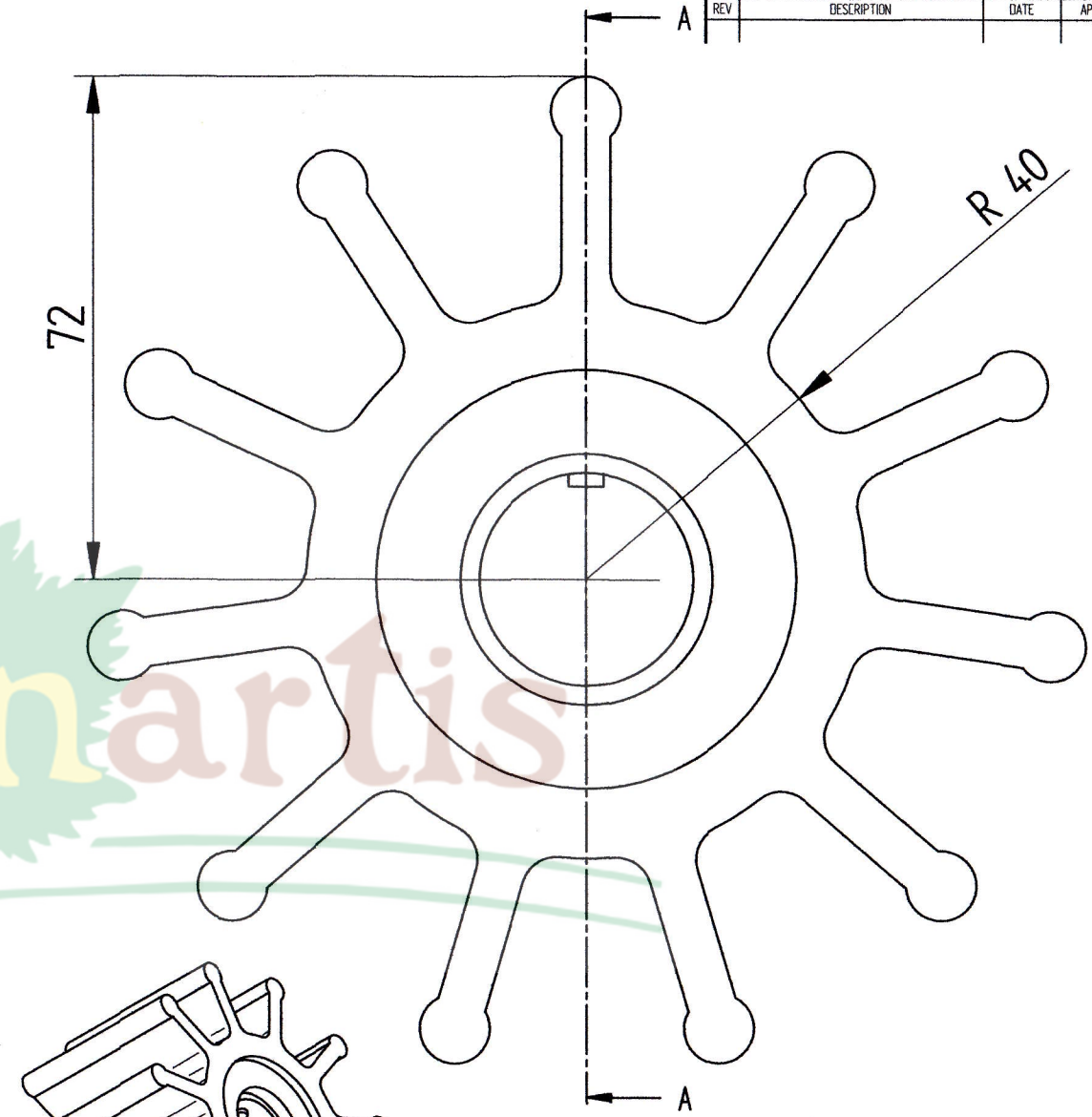


REVISION HISTORY

REV	DESCRIPTION	DATE	APPROVED



METSZET A-A



DRAWN	user	DATE	03/03/16	SOLID EDGE UGS - The PLM Company	
CHECKED					
ENG APPR					
MGR APPR					
UNLESS OTHERWISE SPECIFIED DIMENSIONS ARE IN MILLIMETERS ANGLES ±X.X° 2 PL ±XXX 3 PL ±X.XXX				SIZE DWG NO A2	REV
FILE NAME: T160.dft				SCALE:	WEIGHT:
SHEET 1 OF 1					