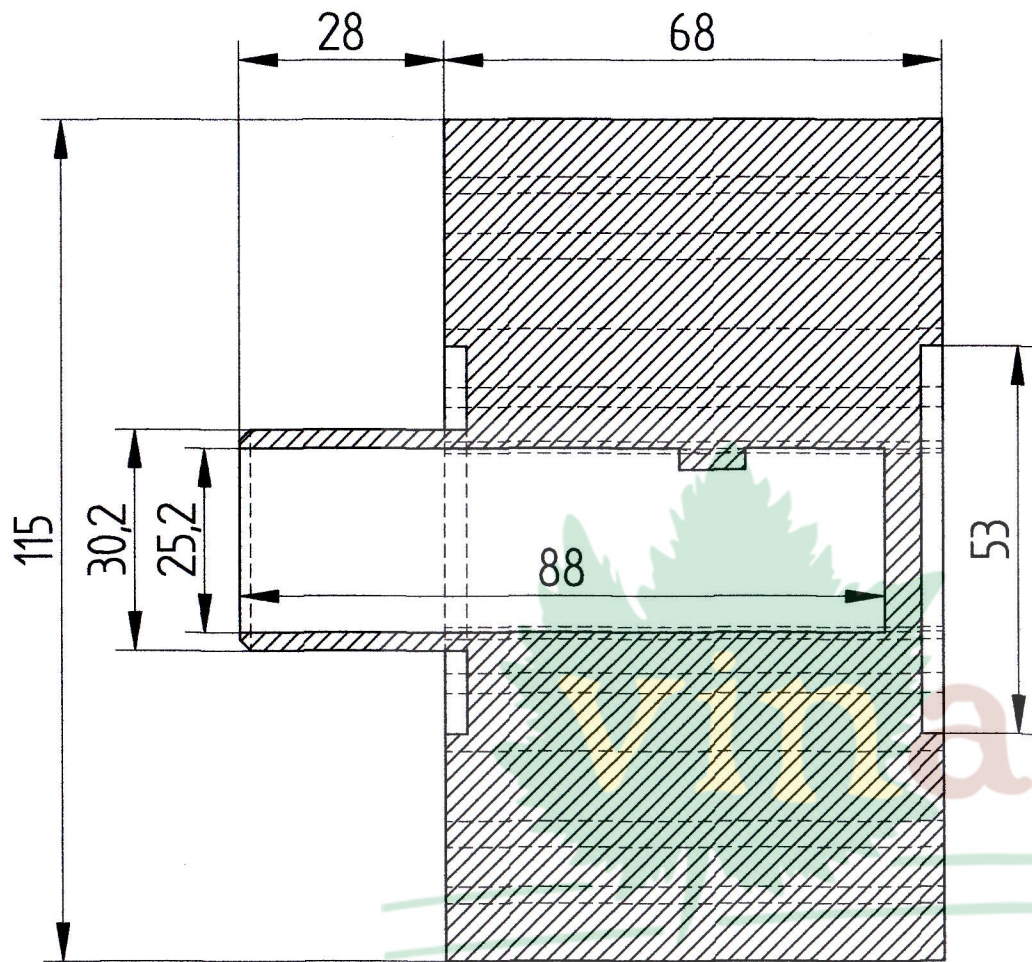
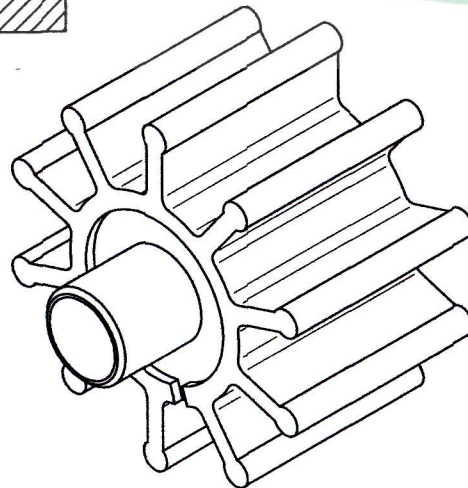
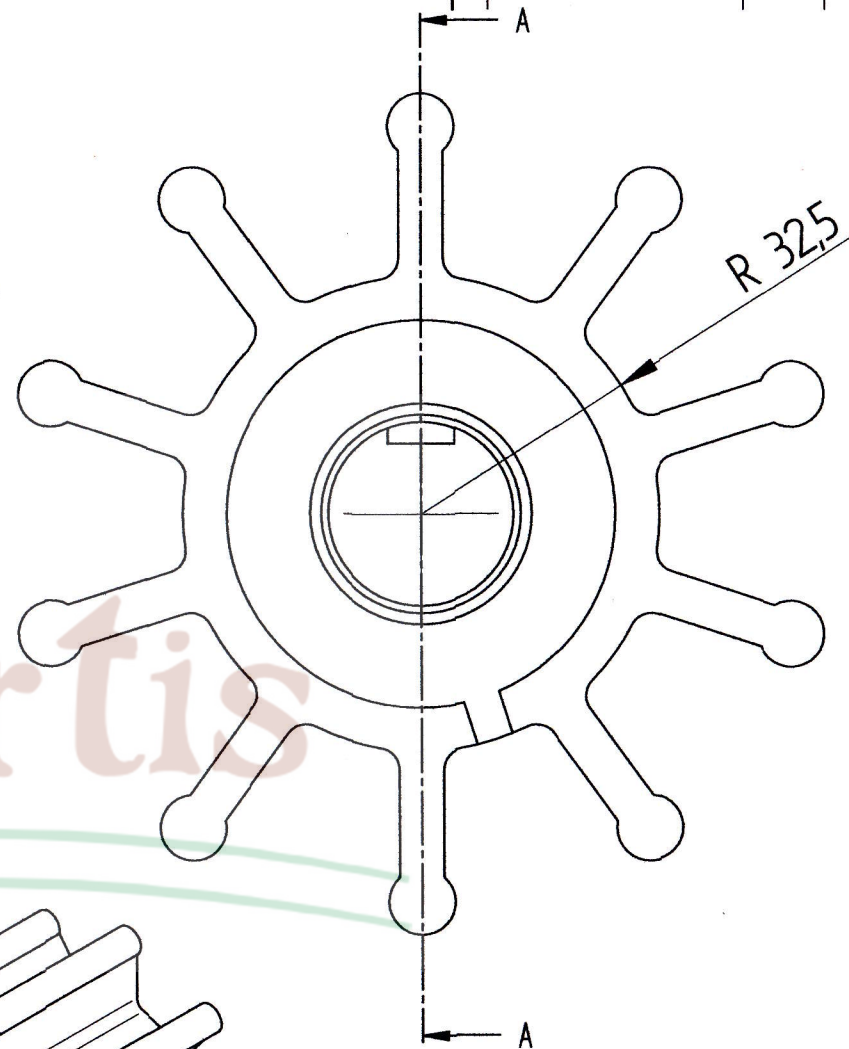


REVISION HISTORY			
REV	DESCRIPTION	DATE	APPROVED



METSZET A-A



DRAWN	user	DATE	11/02/15	SOLID EDGE UGS - The PLM Company TITLE T110	SIZE	DWG NO	REV
CHECKED					A2		
ENG APPR					FILE NAME:	T110.dft	
MGR APPR					SCALE:	WEIGHT:	SHEET 1 OF 1
UNLESS OTHERWISE SPECIFIED DIMENSIONS ARE IN MILLIMETERS ANGLES =X°X'				2 PL =XXX 3 PL =XXXX			