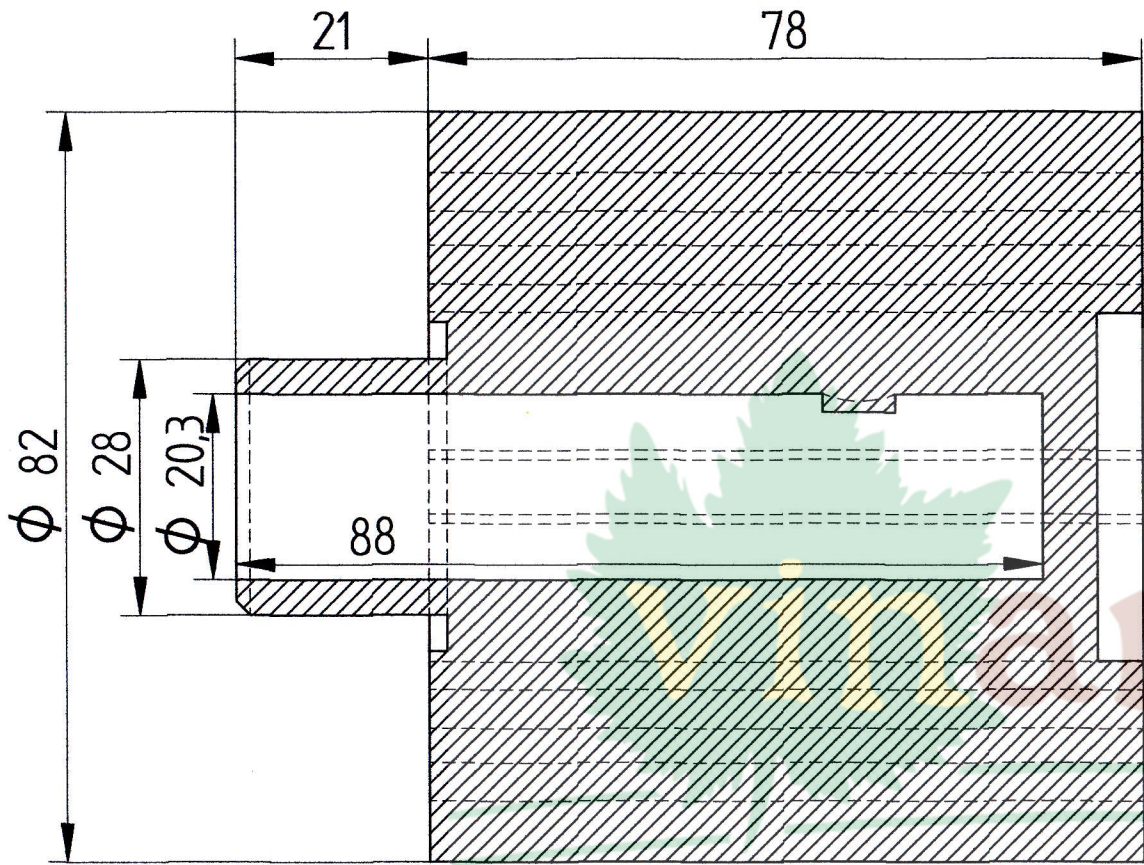
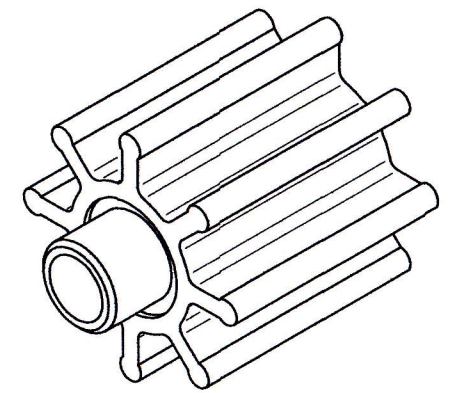
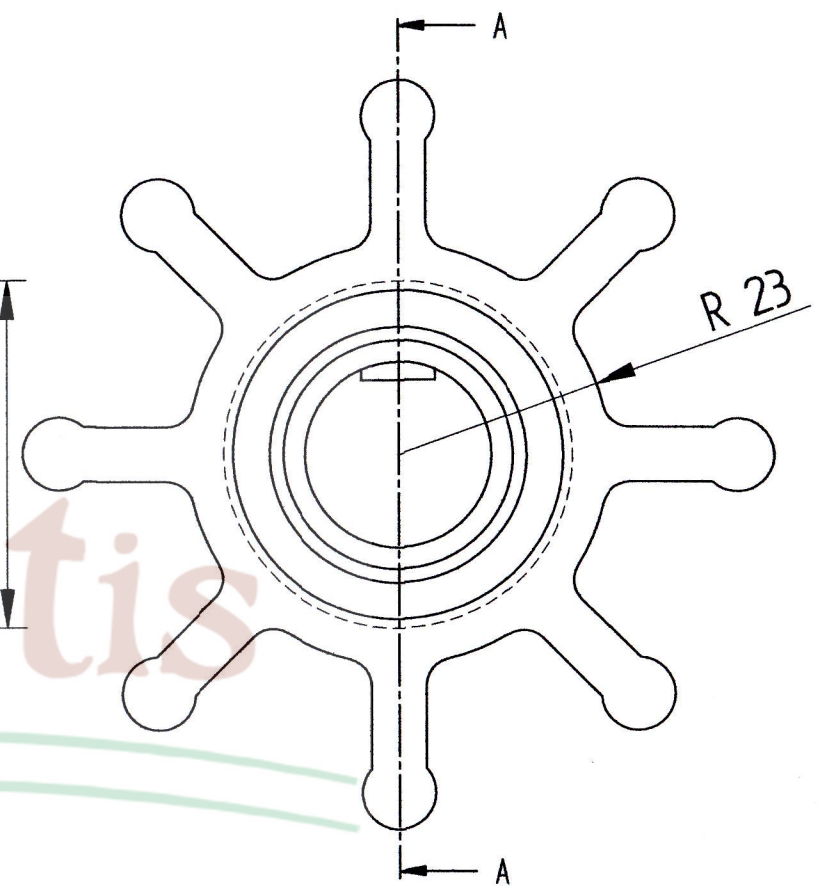


REVISION HISTORY			
REV	DESCRIPTION	DATE	APPROVED



METSZET A-A



DRAWN	NAME	DATE	SOLID EDGE	
	user	11/02/15	UGS - The PLM Company	
CHECKED			TITLE	
ENG APPR				
MGR APPR				
UNLESS OTHERWISE SPECIFIED DIMENSIONS ARE IN MILLIMETERS ANGLES *X.X*			SIZE A2	DWG NO
2 PL *X.XX 3 PL *X.XXX			FILE NAME: T70 0j.dft	REV
SCALE		WEIGHT	SHEET 1 OF 1	