

mod. T1/300

Chiusino circolare con aperture a ribaltamento e a bandiera

Round manhole cover with back-side and side-swing opening

Ø 306 mm

Esterno telaio
External frame

Di serie con guarnizione in EPDM G/T300 e volantino in nylon MEC/60

Guarnizione sul telaio non incollata

Standard with EPDM gasket G/T300 and nylon handwheel MEC/60

Gasket on frame not glued

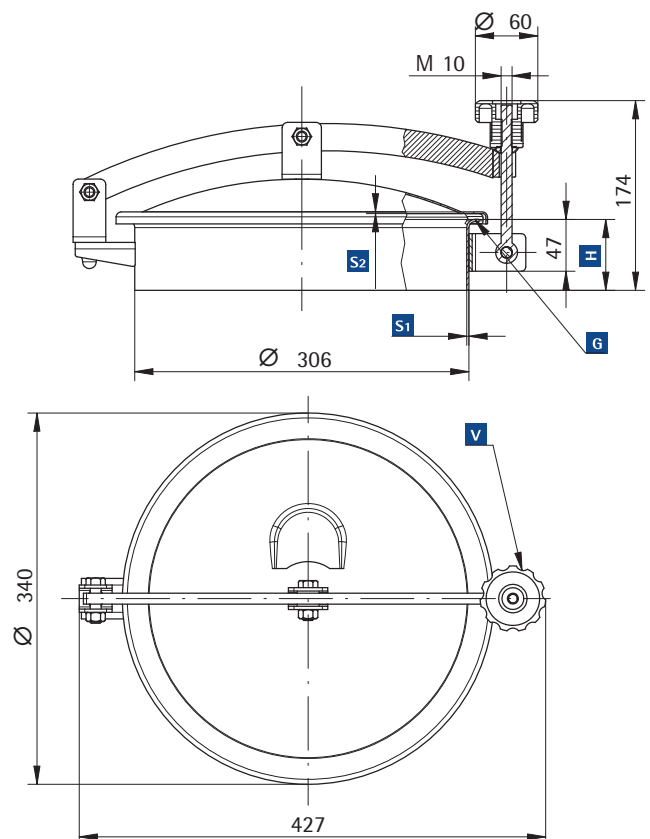


CHIUSINI
MANHOLE COVERS

A richiesta: volantino in inox V/I/295
On request: s.s. handle V/I/295

- H** Altezza telaio | Neck height
- S1** Spessore | Thickness
- S2** Spessore | Thickness
- V** Volantino | Handwheel
- G** Guarnizione | Gasket

Mod.	Mater. AISI	H mm	S1 mm	S2 mm	P. max bar	Peso kg Weight kg
T1/300	304	65	2	1.5	0.1	3.4
T1/301	304	100	2	1.5	0.1	3.8
T1/302	304	150	2	1.5	0.1	4.4
T1/303	304	200	2	1.5	0.1	5
T1/300/B	316L	65	2	1.5	0.1	3.4
T1/301/B	316L	100	2	1.5	0.1	3.8
T1/302/B	316L	150	2	1.5	0.1	4.4
T1/303/B	316L	200	2	1.5	0.1	5



Standard | Standard

Versioni | Versions