

mod. 170

440x320 mm

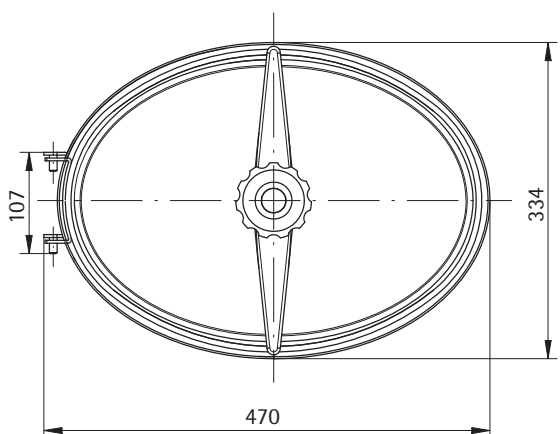
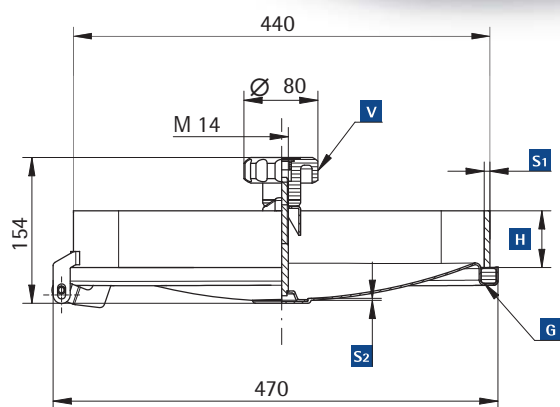
Esterno telaio  
External frame

Portella ovale ad apertura interna  
Oval manwaydoor, opening inwards

Di serie con guarnizione in EPDM G/170 e volantino in nylon  
MEC/80

Guarnizione sul coperchio non incollata  
Standard with EPDM gasket G/170 and nylon handwheel  
MEC/80

Gasket on cover not glued



A richiesta: volantino in inox V/I/170;  
volantino in inox MEC/90; volantino in nylon MEC/150  
On request: s.s. handle V/I/170;  
s.s. handwheel MEC/90; nylon handwheel MEC/150

- H Altezza telaio | Neck height
- S1 Spessore | Thickness
- S2 Spessore | Thickness
- V Volantino | Handwheel
- G Guarnizione | Gasket

Mod.	Mater. AISI	H mm	S1 mm	S2 mm	P. max bar	Peso kg Weight kg
170	304	60	6	1.5	1.3	6
172	304	80	6	1.5	1.3	7
174	304	60	8	2	1.3	7.8
176	304	80	8	2	1.3	8.8
170/B	316L	60	6	1.5	1.3	6
172/B	316L	80	6	1.5	1.3	7
174/B	316L	60	8	2	1.3	7.8
176/B	316L	80	8	2	1.3	8.8

Standard | Standard Versioni | Versions  
Certificati PED | PED certified